

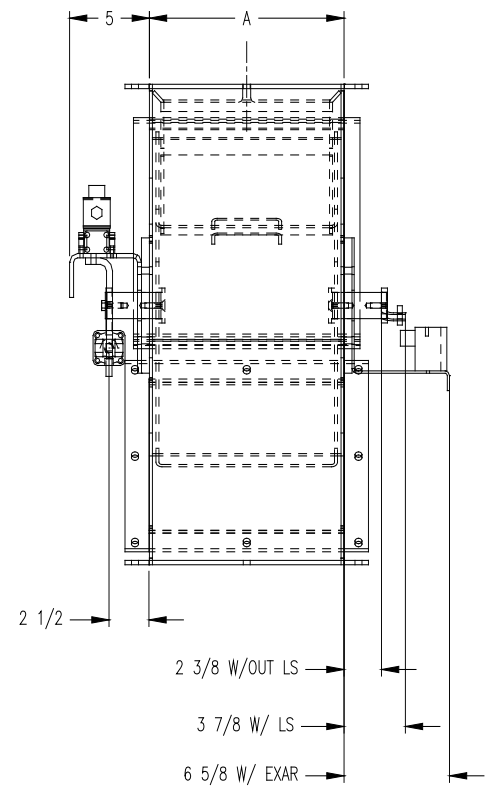
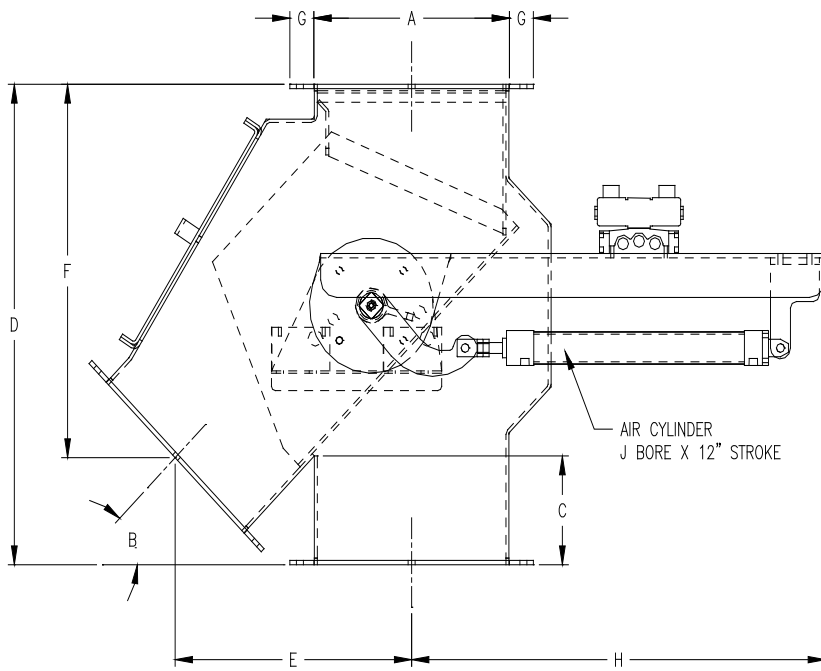


HAYES & STOLZ

INDUSTRIAL MANUFACTURING CO.

3521 Hemphill St. Fort Worth, TX 76110 817.926.3391 800.725.7272 817.926.4133 - Fax www.hayes-stolz.com

H&S STANDARD PNEUMATIC OPERATED K STYLE BASKET VALVE



M1 MOUNTING SHOWN

**H&S STANDARD PNEUMATIC OPERATED
K STYLE BASKET VALVE**

| SIZE A | FLOW B | Dimensions (in) | | | | | | |
|-----------|-----------|-----------------|----------|----------|----------|-------|----------|-------|
| | | C | D | E | F | G | H | J |
| 6 1/4 | 45 | 6 1/4 | 19 1/16 | 9 11/16 | 15 1/16 | 1 1/2 | 27 1/8 | 1 1/2 |
| 7 1/4 | | 6 1/4 | 20 7/16 | 10 9/16 | 16 1/16 | 1 1/2 | 26 15/16 | 1 1/2 |
| 8 1/4 | | 6 1/4 | 21 7/8 | 11 7/16 | 17 1/8 | 1 1/2 | 26 11/16 | 1 1/2 |
| 9 1/4 | | 6 1/4 | 23 5/16 | 12 1/4 | 18 1/4 | 1 1/2 | 26 1/2 | 1 1/2 |
| 10 1/4 | | 6 1/4 | 24 11/16 | 13 1/8 | 19 1/4 | 1 1/2 | 26 5/16 | 1 1/2 |
| 11 1/4 | | 6 1/4 | 26 1/8 | 13 15/16 | 20 5/16 | 1 1/2 | 26 1/16 | 1 1/2 |
| 12 1/4 | | 6 1/4 | 27 1/2 | 14 13/16 | 21 3/8 | 1 1/2 | 25 7/8 | 1 1/2 |
| 13 1/4 | | 7 7/16 | 30 5/8 | 16 1/2 | 23 13/16 | 2 | 25 11/16 | 1 1/2 |
| 14 1/4 | | 7 7/16 | 32 1/16 | 17 3/8 | 24 7/8 | 2 | 25 7/16 | 1 1/2 |
| 15 1/4 | | 7 7/16 | 33 1/2 | 18 1/4 | 25 15/16 | 2 | 25 1/4 | 1 1/2 |
| 16 1/4 | | 7 7/16 | 34 7/8 | 19 1/16 | 27 | 2 | 25 1/16 | 2 1/2 |
| 17 1/4 | | 7 7/16 | 36 5/16 | 19 15/16 | 28 1/16 | 2 | 24 7/8 | 2 1/2 |
| 18 1/4 | | 8 5/8 | 39 7/16 | 21 5/8 | 30 1/2 | 2 1/2 | 24 5/8 | 2 1/2 |
| 19 1/4 | | 8 5/8 | 40 7/8 | 22 1/2 | 31 9/16 | 2 1/2 | 24 7/16 | 2 1/2 |
| 20 1/4 | | 8 5/8 | 42 1/4 | 23 5/16 | 32 9/16 | 2 1/2 | 24 1/4 | 2 1/2 |
| 21 1/4 | | 8 5/8 | 43 11/16 | 24 3/16 | 33 11/16 | 2 1/2 | 24 | 2 1/2 |
| 22 1/4 | | 8 5/8 | 45 1/8 | 25 1/16 | 34 3/4 | 2 1/2 | 23 13/16 | 2 1/2 |
| 23 1/4 | | 8 5/8 | 46 1/2 | 25 7/8 | 35 3/4 | 2 1/2 | 23 5/8 | 2 1/2 |
| 24 1/4 | | 8 5/8 | 47 15/16 | 26 3/4 | 36 7/8 | 2 1/2 | 23 3/8 | 2 1/2 |
| 25 1/4 | | 8 5/8 | 49 5/16 | 27 5/8 | 37 7/8 | 2 1/2 | 23 3/16 | 2 1/2 |
| 26 1/4 | | 8 5/8 | 50 3/4 | 28 7/16 | 38 15/16 | 2 1/2 | 23 | 2 1/2 |

**H&S STANDARD PNEUMATIC OPERATED
K STYLE BASKET VALVE**

| SIZE A | FLOW B | Dimensions (in) | | | | | | |
|-----------|-----------|-----------------|----------|----------|----------|-------|----------|-------|
| | | C | D | E | F | G | H | J |
| 6 1/4 | 50 | 6 1/4 | 19 1/16 | 9 11/16 | 15 1/16 | 1 1/2 | 27 1/8 | 1 1/2 |
| 7 1/4 | | 6 1/4 | 20 7/16 | 10 9/16 | 16 1/16 | 1 1/2 | 26 15/16 | 1 1/2 |
| 8 1/4 | | 6 1/4 | 21 7/8 | 11 7/16 | 17 1/8 | 1 1/2 | 26 11/16 | 1 1/2 |
| 9 1/4 | | 6 1/4 | 23 5/16 | 12 1/4 | 18 1/4 | 1 1/2 | 26 1/2 | 1 1/2 |
| 10 1/4 | | 6 1/4 | 24 11/16 | 13 1/8 | 19 1/4 | 1 1/2 | 26 5/16 | 1 1/2 |
| 11 1/4 | | 6 1/4 | 26 1/8 | 13 15/16 | 20 5/16 | 1 1/2 | 26 1/16 | 1 1/2 |
| 12 1/4 | | 6 1/4 | 27 1/2 | 14 13/16 | 21 3/8 | 1 1/2 | 25 7/8 | 1 1/2 |
| 13 1/4 | | 7 7/16 | 30 5/8 | 16 1/2 | 23 13/16 | 2 | 25 11/16 | 1 1/2 |
| 14 1/4 | | 7 7/16 | 32 1/16 | 17 3/8 | 24 7/8 | 2 | 25 7/16 | 1 1/2 |
| 15 1/4 | | 7 7/16 | 33 1/2 | 18 1/4 | 25 15/16 | 2 | 25 1/4 | 1 1/2 |
| 16 1/4 | | 7 7/16 | 34 7/8 | 19 1/16 | 27 | 2 | 25 1/16 | 2 1/2 |
| 17 1/4 | | 7 7/16 | 36 5/16 | 19 15/16 | 28 1/16 | 2 | 24 7/8 | 2 1/2 |
| 18 1/4 | | 8 5/8 | 39 7/16 | 21 5/8 | 30 1/2 | 2 1/2 | 24 5/8 | 2 1/2 |
| 19 1/4 | | 8 5/8 | 40 7/8 | 22 1/2 | 31 9/16 | 2 1/2 | 24 7/16 | 2 1/2 |
| 20 1/4 | | 8 5/8 | 42 1/4 | 23 5/16 | 32 9/16 | 2 1/2 | 24 1/4 | 2 1/2 |
| 21 1/4 | | 8 5/8 | 43 11/16 | 24 3/16 | 33 11/16 | 2 1/2 | 24 | 2 1/2 |
| 22 1/4 | | 8 5/8 | 45 1/8 | 25 1/16 | 34 3/4 | 2 1/2 | 23 13/16 | 2 1/2 |
| 23 1/4 | | 8 5/8 | 46 1/2 | 25 7/8 | 35 3/4 | 2 1/2 | 23 5/8 | 2 1/2 |
| 24 1/4 | | 8 5/8 | 47 15/16 | 26 3/4 | 36 7/8 | 2 1/2 | 23 3/8 | 2 1/2 |
| 25 1/4 | | 8 5/8 | 49 5/16 | 27 5/8 | 37 7/8 | 2 1/2 | 23 3/16 | 2 1/2 |
| 26 1/4 | | 8 5/8 | 50 3/4 | 28 7/16 | 38 15/16 | 2 1/2 | 23 | 2 1/2 |

**H&S STANDARD PNEUMATIC OPERATED
K STYLE BASKET VALVE**

| SIZE A | FLOW B | Dimensions (in) | | | | | | |
|-----------|-----------|-----------------|----------|----------|----------|-------|----------|-------|
| | | C | D | E | F | G | H | J |
| 6 1/4 | 55 | 6 1/4 | 19 1/16 | 9 11/16 | 15 1/16 | 1 1/2 | 27 1/8 | 1 1/2 |
| 7 1/4 | | 6 1/4 | 20 7/16 | 10 9/16 | 16 1/16 | 1 1/2 | 26 15/16 | 1 1/2 |
| 8 1/4 | | 6 1/4 | 21 7/8 | 11 7/16 | 17 1/8 | 1 1/2 | 26 11/16 | 1 1/2 |
| 9 1/4 | | 6 1/4 | 23 5/16 | 12 1/4 | 18 1/4 | 1 1/2 | 26 1/2 | 1 1/2 |
| 10 1/4 | | 6 1/4 | 24 11/16 | 13 1/8 | 19 1/4 | 1 1/2 | 26 5/16 | 1 1/2 |
| 11 1/4 | | 6 1/4 | 26 1/8 | 13 15/16 | 20 5/16 | 1 1/2 | 26 1/16 | 1 1/2 |
| 12 1/4 | | 6 1/4 | 27 1/2 | 14 13/16 | 21 3/8 | 1 1/2 | 25 7/8 | 1 1/2 |
| 13 1/4 | | 7 7/16 | 30 5/8 | 16 1/2 | 23 13/16 | 2 | 25 11/16 | 1 1/2 |
| 14 1/4 | | 7 7/16 | 32 1/16 | 17 3/8 | 24 7/8 | 2 | 25 7/16 | 1 1/2 |
| 15 1/4 | | 7 7/16 | 33 1/2 | 18 1/4 | 25 15/16 | 2 | 25 1/4 | 1 1/2 |
| 16 1/4 | | 7 7/16 | 34 7/8 | 19 1/16 | 27 | 2 | 25 1/16 | 2 1/2 |
| 17 1/4 | | 7 7/16 | 36 5/16 | 19 15/16 | 28 1/16 | 2 | 24 7/8 | 2 1/2 |
| 18 1/4 | | 8 5/8 | 39 7/16 | 21 5/8 | 30 1/2 | 2 1/2 | 24 5/8 | 2 1/2 |
| 19 1/4 | | 8 5/8 | 40 7/8 | 22 1/2 | 31 9/16 | 2 1/2 | 24 7/16 | 2 1/2 |
| 20 1/4 | | 8 5/8 | 42 1/4 | 23 5/16 | 32 9/16 | 2 1/2 | 24 1/4 | 2 1/2 |
| 21 1/4 | | 8 5/8 | 43 11/16 | 24 3/16 | 33 11/16 | 2 1/2 | 24 | 2 1/2 |
| 22 1/4 | | 8 5/8 | 45 1/8 | 25 1/16 | 34 3/4 | 2 1/2 | 23 13/16 | 2 1/2 |
| 23 1/4 | | 8 5/8 | 46 1/2 | 25 7/8 | 35 3/4 | 2 1/2 | 23 5/8 | 2 1/2 |
| 24 1/4 | | 8 5/8 | 47 15/16 | 26 3/4 | 36 7/8 | 2 1/2 | 23 3/8 | 2 1/2 |
| 25 1/4 | | 8 5/8 | 49 5/16 | 27 5/8 | 37 7/8 | 2 1/2 | 23 3/16 | 2 1/2 |
| 26 1/4 | | 8 5/8 | 50 3/4 | 28 7/16 | 38 15/16 | 2 1/2 | 23 | 2 1/2 |