

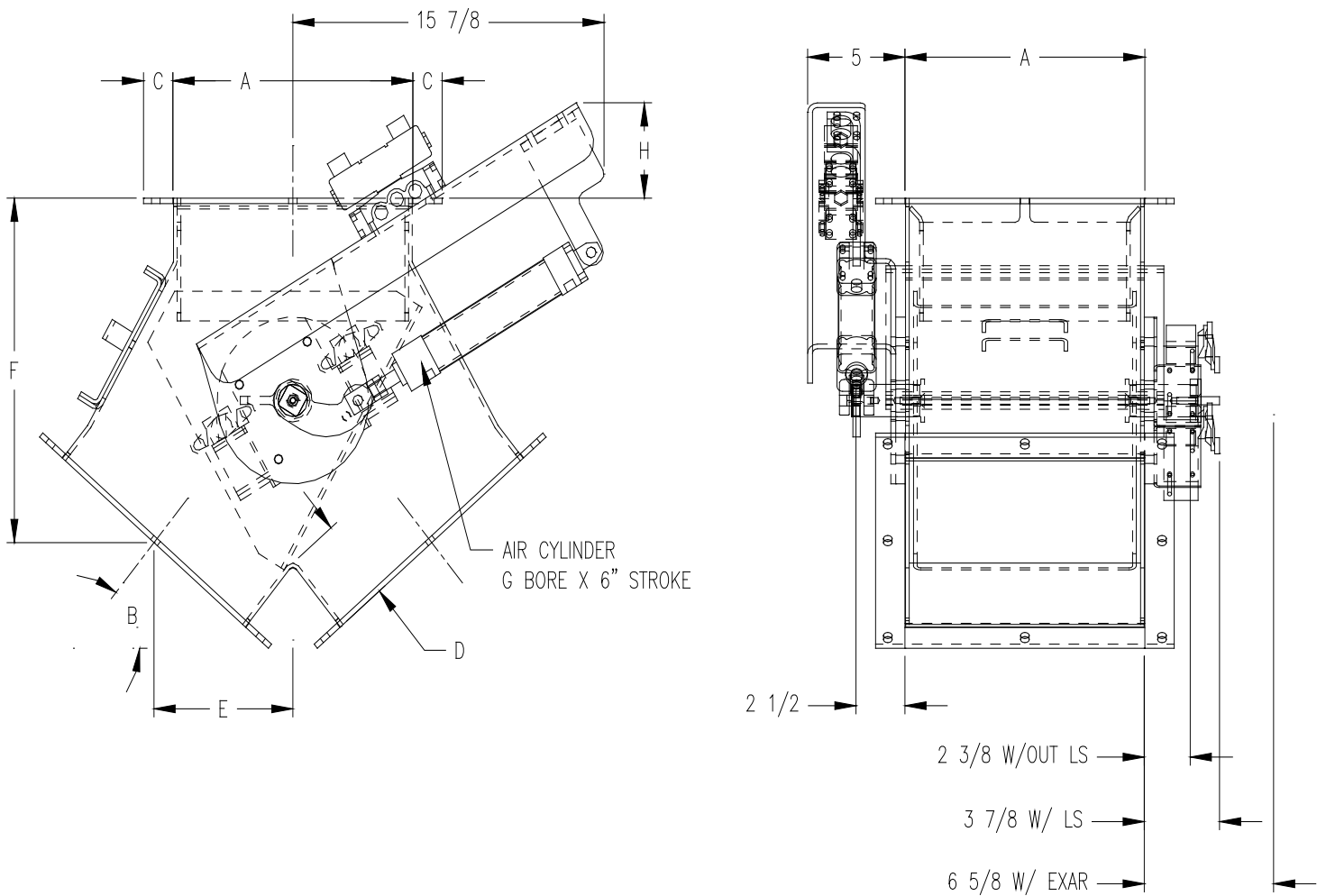


HAYES & STOLZ

INDUSTRIAL MANUFACTURING CO.

3521 Hemphill St. Fort Worth, TX 76110 817.926.3391 800.725.7272 817.926.4133 - Fax www.hayes-stolz.com

H&S STANDARD AIR OPERATED A STYLE BASKET VALVE



M1 MOUNTING SHOWN

**H&S STANDARD AIR OPERATED
A STYLE BASKET VALVE**

SIZE A	FLOW B	Dimensions (in)					
		C	D	E	F	G	H*
6 1/4	45	1 1/2	3 1/4	4 1/2	9 1/2	1 1/2	- 13/16
7 1/4		1 1/2	3 1/4	4 7/8	10 7/16	1 1/2	-1 7/16
8 1/4		1 1/2	3 1/4	5 3/16	11 3/8	1 1/2	7
9 1/4		1 1/2	3 1/4	5 9/16	11 15/16	1 1/2	6 1/2
10 1/4		1 1/2	3 1/4	5 15/16	12 7/8	1 1/2	5 7/8
11 1/4		1 1/2	3 1/4	6 1/4	13 13/16	1 1/2	5 1/4
12 1/4		1 1/2	3 1/4	6 5/8	14 3/4	1 1/2	4 9/16
13 1/4		2	3 3/4	7 5/16	15 9/16	1 1/2	4 3/16
14 1/4		2	3 3/4	7 11/16	16 1/2	1 1/2	3 9/16
15 1/4		2	3 3/4	8 1/16	17 3/8	1 1/2	2 15/16
16 1/4		2	3 3/4	8 3/8	18 5/16	2 1/2	2 1/4
17 1/4		2	3 3/4	8 3/4	19 1/4	2 1/2	1 5/8
18 1/4		2 1/2	4 1/4	9 7/16	20 9/16	2 1/2	1
19 1/4		2 1/2	4 1/4	9 13/16	21 1/2	2 1/2	5/16
20 1/4		2 1/2	4 1/4	10 1/8	22 7/16	2 1/2	- 5/16
21 1/4		2 1/2	4 1/4	10 1/2	23 3/8	2 1/2	- 15/16
22 1/4		2 1/2	4 7/16	11	24 7/16	2 1/2	-1 5/8
23 1/4		2 1/2	4 11/16	11 1/2	25 1/2	2 1/2	-2 1/4
24 1/4		2 1/2	4 7/8	12	26 9/16	2 1/2	-2 7/8
25 1/4		2 1/2	5 1/16	12 7/16	27 5/8	2 1/2	-3 1/2
26 1/4		2 1/2	5 1/4	12 15/16	28 11/16	2 1/2	-4 3/16

H* = Above (+) or Below (-) Top Flange

6 & 7 Inch – Actuator is horizontal

**H&S STANDARD AIR OPERATED
A STYLE BASKET VALVE**

SIZE A	FLOW B	Dimensions (in)					
		C	D	E	F	G	H*
6 1/4	50	1 1/2	3 3/4	4 3/4	10 5/16	1 1/2	- 7/8
7 1/4		1 1/2	3 3/4	5 1/8	11 5/16	1 1/2	-1 9/16
8 1/4		1 1/2	3 3/4	5 9/16	12 5/16	1 1/2	6 7/8
9 1/4		1 1/2	3 3/4	5 15/16	13	1 1/2	6 3/8
10 1/4		1 1/2	3 3/4	6 5/16	13 15/16	1 1/2	5 3/4
11 1/4		1 1/2	3 3/4	6 11/16	14 15/16	1 1/2	5 1/8
12 1/4		1 1/2	3 3/4	7 1/16	15 15/16	1 1/2	4 7/16
13 1/4		2	4 5/16	7 13/16	16 15/16	1 1/2	4
14 1/4		2	4 5/16	8 3/16	17 15/16	1 1/2	3 3/8
15 1/4		2	4 5/16	8 5/8	18 7/8	1 1/2	2 11/16
16 1/4		2	4 5/16	9	19 7/8	2 1/2	2 1/16
17 1/4		2	4 5/16	9 3/8	20 7/8	2 1/2	1 3/8
18 1/4		2 1/2	4 15/16	10 1/8	22 3/8	2 1/2	3/4
19 1/4		2 1/2	4 15/16	10 1/2	23 5/16	2 1/2	1/16
20 1/4		2 1/2	4 15/16	10 7/8	24 5/16	2 1/2	- 9/16
21 1/4		2 1/2	4 15/16	11 1/4	25 5/16	2 1/2	-1 1/4
22 1/4		2 1/2	4 15/16	11 11/16	26 5/16	2 1/2	-1 7/8
23 1/4		2 1/2	4 15/16	12 1/16	27 5/16	2 1/2	-2 9/16
24 1/4		2 1/2	4 15/16	12 7/16	28 5/16	2 1/2	-3 3/16
25 1/4		2 1/2	4 15/16	12 13/16	29 5/16	2 1/2	-3 7/8
26 1/4	2 1/2	4 15/16	13 3/16	30 5/16	2 1/2	-4 1/2	

H* = Above (+) or Below (-) Top Flange

6 & 7 Inch – Actuator is horizontal

**H&S STANDARD AIR OPERATED
A STYLE BASKET VALVE**

SIZE A	FLOW B	Dimensions (in)					
		C	D	E	F	G	H*
6 1/4	60	1 1/2	5 1/8	5 1/4	12 1/16	1 1/2	- 3/4
7 1/4		1 1/2	5 1/8	5 11/16	13 1/8	1 1/2	-1 7/16
8 1/4		1 1/2	5 1/8	6 1/8	14 3/16	1 1/2	7
9 1/4		1 1/2	5 1/8	6 1/2	14 15/16	1 1/2	6 1/2
10 1/4		1 1/2	5 1/8	6 15/16	16	1 1/2	5 13/16
11 1/4		1 1/2	5 1/8	7 3/8	17 1/8	1 1/2	5 3/16
12 1/4		1 1/2	5 1/8	7 13/16	18 3/16	1 1/2	4 1/2
13 1/4		2	5 15/16	8 11/16	19 1/2	1 1/2	4 1/16
14 1/4		2	5 15/16	9 1/8	20 5/8	1 1/2	3 7/16
15 1/4		2	5 15/16	9 9/16	21 11/16	1 1/2	2 3/4
16 1/4		2	5 15/16	10	22 3/4	2 1/2	2 1/16
17 1/4		2	5 15/16	10 7/16	23 7/8	2 1/2	1 7/16
18 1/4		2 1/2	6 13/16	11 5/16	25 11/16	2 1/2	3/4
19 1/4		2 1/2	6 13/16	11 3/4	26 3/4	2 1/2	1/16
20 1/4		2 1/2	6 13/16	12 3/16	27 7/8	2 1/2	- 9/16
21 1/4		2 1/2	6 13/16	12 9/16	28 15/16	2 1/2	-1 1/4
22 1/4		2 1/2	6 13/16	13	30	2 1/2	-1 15/16
23 1/4		2 1/2	6 13/16	13 7/16	31 1/8	2 1/2	-2 9/16
24 1/4		2 1/2	6 13/16	13 7/8	32 3/16	2 1/2	-3 1/4
25 1/4		2 1/2	6 13/16	14 5/16	33 1/4	2 1/2	-3 15/16
26 1/4		2 1/2	6 13/16	14 3/4	34 3/8	2 1/2	-4 9/16

H* = Above (+) or Below (-) Top Flange

6 & 7 Inch – Actuator is horizontal