

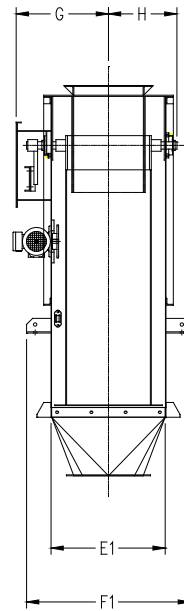
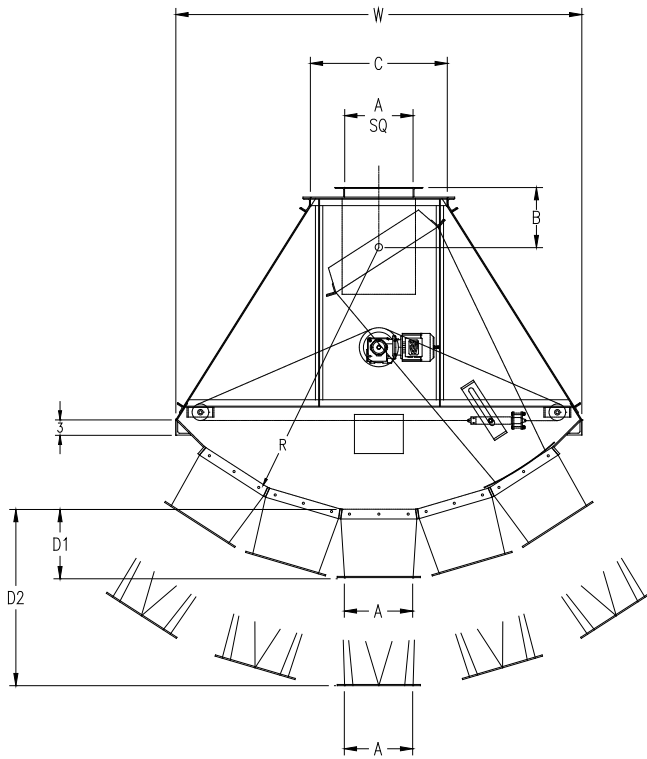


HAYES & STOLZ

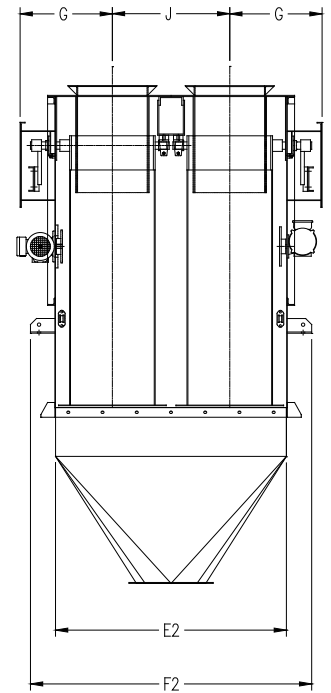
INDUSTRIAL MANUFACTURING CO.

3521 Hemphill St. Fort Worth, TX 76110 817.926.3391 800.725.7272 817.926.4133 - Fax www.hayes-stolz.com

H&S MODEL SVE SWING VALVE DISTRIBUTOR



SVES
(Single Spout)



SVED
(Dual Spout)

H&S MODEL SVE SWING VALVE DISTRIBUTOR

SIZE	NO. OF	DIMENSION (in)														
		A	OUTLETS	B	C	D1	D2	E1	E2	F1	F2	G	H	J	R-45°	R-50°
6	3	7 3/4	16	10 1/2	28	17	33	27	43	16	15	10	17 1/4	18 7/8	33	33 1/4
	4												22	24 1/8	39 3/4	40
	5												26 3/4	29 1/2	46 1/2	47
	6												31 1/2	34 7/8	53 1/4	53 7/8
	7												36 1/4	40 1/4	60	60 3/4
	8												41	45 5/8	66 3/4	67 3/4

SIZE	NO. OF	DIMENSION (in)														
		A	OUTLETS	B	C	D1	D2	E1	E2	F1	F2	G	H	J	R-45°	R-50°
8	3	8 3/4	20	11	30	19	37	29	47	18	16	11	20 3/8	22 1/8	38 1/4	38 5/8
	4												26 3/8	28 7/8	46 7/8	47 1/4
	5												32 3/8	35 5/8	55 3/8	56
	6												38 3/8	42 1/2	63 7/8	64 3/4
	7												44 3/8	49 1/4	72 3/8	73 1/2
	8												50 1/2	56	81	82 1/4

SIZE	NO. OF	DIMENSION (in)														
		A	OUTLETS	B	C	D1	D2	E1	E2	F1	F2	G	H	J	R-45°	R-50°
10	3	9 3/4	24	11 1/2	32	21	41	31	51	20	17	12	23 3/8	25 3/8	43 5/8	44
	4												30 5/8	33 5/8	53 3/4	54 1/2
	5												38	41 7/8	64 1/8	65 1/8
	6												45 1/4	50	74 1/2	75 5/8
	7												52 5/8	58 1/4	84 7/8	86 1/8
	8												59 7/8	66 1/2	95 1/8	96 3/4

SIZE	NO. OF	DIMENSION (in)														
		A	OUTLETS	B	C	D1	D2	E1	E2	F1	F2	G	H	J	R-45°	R-50°
12	3	10 3/4	28	12	34	23	45	33	55	22	18	13	26 1/2	28 3/4	48 7/8	49 3/8
	4												35	38 3/8	60 7/8	61 3/4
	5												43 5/8	48	73	74 1/8
	6												52 1/8	57 5/8	85	86 1/2
	7												60 3/4	67 3/8	97 1/4	98 7/8
	8												69 3/8	77	109 3/8	111 3/8

H&S MODEL SVE SWING VALVE DISTRIBUTOR

SIZE	NO. OF	DIMENSION (in)														
		A	OUTLETS	B	C	D1	D2	E1	E2	F1	F2	G	H	J	R-45°	R-50°
14	3	12	32	12 1/2	36	25	49	35	59	24	19	14	29 1/2	32	54	54 3/4
	4												39 3/8	43 1/8	67 7/8	68 7/8
	5												49 1/4	54 1/8	81 3/4	83
	6												59	65 1/4	95 5/8	97 1/4
	7												68 7/8	76 3/8	109 5/8	111 5/8
	8												78 3/4	87 1/2	123 1/2	125 7/8

SIZE	NO. OF	DIMENSION (in)														
		A	OUTLETS	B	C	D1	D2	E1	E2	F1	F2	G	H	J	R-45°	R-50°
16	3	13	36	13	38	27	53	37	63	26	20	15	32 5/8	35 1/4	59 1/4	60
	4												43 3/4	47 3/4	74 7/8	76
	5												54 3/4	60 3/8	90 1/2	92 1/8
	6												66	72 7/8	106 1/4	108 1/8
	7												77 1/8	85 3/8	122	124 1/4

SIZE	NO. OF	DIMENSION (in)														
		A	OUTLETS	B	C	D1	D2	E1	E2	F1	F2	G	H	J	R-45°	R-50°
18	3	14 1/2	40	13 1/2	40	29	57	39	67	28	21	16	35 5/8	38 5/8	64 1/2	65 3/8
	4												48	52 1/2	81 7/8	83 1/8
	5												60 3/8	66 1/2	99 1/4	101
	6												72 7/8	80 1/2	116 7/8	119
	7												85 1/4	94 3/8	134 3/8	136 7/8

SIZE	NO. OF	DIMENSION (in)														
		A	OUTLETS	B	C	D1	D2	E1	E2	F1	F2	G	H	J	R-45°	R-50°
20	3	15 1/2	44	14	42	31	61	41	71	30	22	17	38 3/4	41 7/8	69 3/4	70 5/8
	4												52 3/8	57 1/4	88 7/8	90 1/4
	5												66	72 5/8	108	110
	6												79 3/4	88	127 3/8	129 3/4
	7												93 3/8	103 1/2	146 3/4	149 5/8

H&S MODEL SVE SWING VALVE DISTRIBUTOR

SIZE	NO. OF	DIMENSION (in)														
		OUTLETS	B	C	D1	D2	E1	E2	F1	F2	G	H	J	R-45°	R-50°	W-45°
22	3	16 1/2	48	14 1/2	44	33	65	43	75	32	23	18	41 3/4	45 1/4	74 7/8	76
	4												56 3/4	62	95 7/8	97 3/8
	5												71 5/8	78 7/8	116 7/8	119
	6												86 5/8	95 5/8	138	140 5/8

SIZE	NO. OF	DIMENSION (in)														
		OUTLETS	B	C	D1	D2	E1	E2	F1	F2	G	H	J	R-45°	R-50°	W-45°
24	3	17 1/2	52	15	46	35	69	45	79	34	24	19	44 7/8	48 1/2	80	81 1/4
	4												61 1/8	66 3/4	102 3/4	104 1/2
	5												77 1/4	85	125 5/8	128
	6												93 1/2	103 1/4	148 1/2	151 3/8