



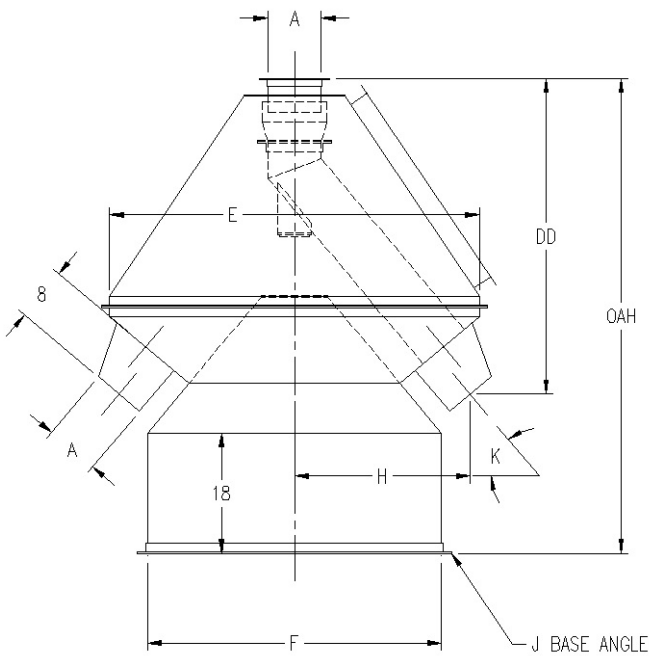
HAYES & STOLZ

INDUSTRIAL MANUFACTURING CO.

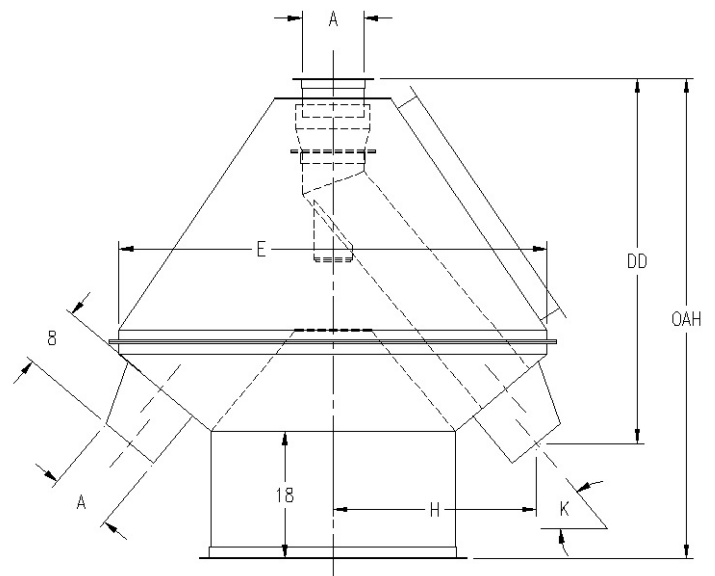
3521 Hemphill St. Fort Worth, TX 76110 817.926.3391 800.725.7272 817.926.4133 - Fax www.hayes-stolz.com

H&S MODEL E ROTARY DISTRIBUTORS

60 DEGREE FLOW



STYLE 1



STYLE 2

H&S MODEL E ROTARY DISTRIBUTORS

60 DEGREE FLOW

SPOUT DIA. A	FLOW K	NO. OF OUTLETS	DIMENSION (in)						BODY STYLE
			E	OAH	F	J	DD	H	
8	60	4 to 6	36.94	86.13	44.00	1.5	42.19	15.06	1
		7	41.06	86.13	44.00	1.5	45.75	17.13	1
		8	45.25	86.13	44.00	1.5	49.38	19.25	1
		9	52.25	86.13	44.00	1.5	55.44	22.75	1
		10	56.69	86.13	44.00	1.5	59.31	24.94	1
		11	61.13	86.13	44.00	1.5	63.13	27.19	1
		12	65.63	86.13	44.00	1.5	67.06	29.44	1
		13	70.06	85.44	43.19	1.5	70.88	31.63	2
		14	74.50	89.31	47.63	2	74.75	33.88	2
		15	79.00	93.19	52.13	2	78.63	36.13	2
		16	83.44	97.06	56.56	2	82.44	38.31	2
		17	87.88	100.88	61.00	2	86.31	40.56	2
		18	92.31	104.75	65.44	2	90.13	42.75	2
		19	96.81	108.63	69.94	2	94.06	45.00	2
		20	101.25	112.44	74.38	2	97.88	47.25	2
		21	105.69	116.31	78.81	2	101.75	49.44	2
		22	110.19	120.19	83.31	2	105.63	51.69	2
		23	114.63	124.06	87.75	2	109.50	53.94	2
		24	119.06	127.88	92.19	2	113.31	56.13	2
		25	123.56	131.81	96.69	2	117.19	58.38	2
26	128.00	135.63	101.13	2	121.06	60.63	2		
27	132.44	139.50	105.56	2	124.88	62.81	2		
28	136.88	143.31	110.00	2	128.75	65.06	2		

H&S MODEL E ROTARY DISTRIBUTORS

60 DEGREE FLOW

SPOUT DIA. A	FLOW K	NO. OF OUTLETS	DIMENSION (in)						BODY STYLE
			E	OAH	F	J	DD	H	
10	60	4 to 6	42.50	88.38	44.00	1.5	45.75	17.00	1
		7	47.31	88.38	44.00	1.5	49.94	19.44	1
		8	52.06	88.38	44.00	1.5	54.06	21.81	1
		9	59.69	88.38	44.00	1.5	60.63	25.63	1
		10	64.81	88.38	44.00	1.5	65.06	28.19	1
		11	69.88	88.38	44.00	1.5	69.50	30.69	1
		12	75.00	89.00	44.69	2	73.94	33.25	2
		13	80.06	93.38	49.75	2	78.31	35.81	2
		14	85.19	97.81	54.88	2	82.75	38.38	2
		15	90.25	102.19	59.94	2	87.13	40.88	2
		16	95.38	106.63	65.06	2	91.56	43.44	2
		17	100.44	111.00	70.13	2	95.94	46.00	2
		18	105.56	115.44	75.25	2	100.38	48.56	2
		19	110.63	119.81	80.31	2	104.75	51.06	2
		20	115.75	124.25	85.44	2	109.19	53.63	2
		21	120.81	128.63	90.50	2	113.56	56.19	2
		22	125.94	133.06	95.63	2	118.00	58.75	2
		23	131.00	137.50	100.69	2	122.38	61.25	2
		24	136.13	141.94	105.81	2	126.88	63.81	2
		25	141.19	146.31	110.88	2	131.25	66.38	2

SPOUT DIA. A	FLOW K	NO. OF OUTLETS	DIMENSION (in)						BODY STYLE
			E	OAH	F	J	DD	H	
12	60	4 to 6	48.00	90.69	44.00	1.5	49.31	18.94	1
		7	53.44	90.69	44.00	1.5	54.06	21.63	1
		8	58.88	90.69	44.00	1.5	58.75	24.38	1
		9	67.13	90.69	44.00	1.5	65.88	28.50	1
		10	72.88	90.69	44.00	2	70.88	31.38	1
		11	78.56	91.38	44.81	2	75.81	34.19	2
		12	84.31	96.38	50.56	2	80.75	37.06	2
		13	90.06	101.31	56.31	2	85.75	39.94	2
		14	95.75	106.25	62.00	2	90.69	42.81	2
		15	101.50	111.25	67.75	2	95.69	45.69	2
		16	107.25	116.19	73.50	2	100.63	48.56	2
		17	112.94	121.13	79.19	2	105.56	51.38	2
		18	118.69	126.13	84.94	2	110.56	54.25	2
		19	124.44	131.13	90.69	2	115.50	57.13	2
		20	130.13	136.00	96.38	2	120.44	60.00	2
		21	135.88	141.00	102.13	2	125.44	62.88	2
		22	141.63	146.00	107.88	2	130.44	65.75	2

H&S MODEL E ROTARY DISTRIBUTORS

60 DEGREE FLOW

SPOUT DIA. A	FLOW K	NO. OF OUTLETS	DIMENSIONS (in)						BODY STYLE
			E	OAH	F	J	DD	H	
14	60	4 to 5	47.56	92.94	44.00	1.5	47.69	17.81	1
		6	53.63	92.94	44.00	1.5	52.94	20.88	1
		7	59.63	92.94	44.00	1.5	58.13	23.88	1
		8	65.69	92.94	44.00	1.5	63.38	26.88	1
		9	74.63	92.94	44.00	2	71.13	31.38	1
		10	81.00	92.75	43.75	2	76.69	34.56	2
		11	87.31	98.19	50.06	2	82.13	37.69	2
		12	93.69	103.75	56.44	2	87.63	40.88	2
		13	100.06	109.25	62.81	2	93.19	44.06	2
		14	106.44	114.75	69.19	2	98.69	47.25	2
		15	112.81	120.31	75.56	2	104.19	50.44	2
		16	119.19	125.81	81.94	2	109.75	53.63	2
		17	125.56	131.31	88.31	2	115.25	56.81	2
		18	131.88	136.81	94.63	2	120.75	60.00	2
		19	138.25	142.31	101.00	2	126.25	63.19	2
		20	144.63	147.81	107.38	2	131.75	66.38	2
		21	151.00	153.38	113.75	2	137.31	69.56	2
		22	157.38	158.88	120.13	2	142.81	72.75	2

SPOUT DIA. A	FLOW K	NO. OF OUTLETS	DIMENSIONS (in)						BODY STYLE
			E	OAH	F	J	DD	H	
16	60	4 to 5	54.06	95.19	44.00	1.5	52.06	20.19	1
		6	61.06	95.19	44.00	1.5	58.13	23.69	1
		7	68.06	95.19	44.00	1.5	64.19	27.19	1
		8	75.06	95.19	44.00	2	70.25	30.69	1
		9	82.06	95.19	44.00	2	76.31	34.19	1
		10	89.06	99.00	48.38	2	82.38	37.69	2
		11	96.06	105.06	55.38	2	88.44	41.19	2
		12	103.13	111.13	62.44	2	94.56	44.75	2
		13	110.13	117.19	69.44	2	100.63	48.25	2
		14	117.13	123.25	76.44	2	106.69	51.75	2
		15	124.13	129.31	83.44	2	112.75	55.25	2
		16	131.13	135.38	90.44	2	118.81	58.75	2
		17	138.13	141.44	97.44	2	124.88	62.25	2
		18	145.13	147.50	104.44	2	130.94	65.75	2
		19	152.13	153.56	111.44	2	137.00	69.25	2
		20	159.13	159.63	118.44	2	143.06	72.75	2
		21	166.13	165.69	125.44	2	149.13	76.25	2
		22	173.13	171.75	132.44	2	155.19	79.75	2

H&S MODEL E ROTARY DISTRIBUTORS

60 DEGREE FLOW

SPOUT DIA. A	FLOW K	NO. OF OUTLETS	DIMENSIONS (in)						BODY STYLE
			E	OAH	F	J	DD	H	
18	60	4 to 5	59.00	97.44	44.00	1.50	55.13	21.81	1
		6	66.63	97.44	44.00	1.50	61.75	25.63	1
		7	74.31	97.44	44.00	2.00	68.38	29.44	1
		8	81.94	97.44	44.00	2.00	75.00	33.25	1
		9	89.56	98.63	45.38	2.00	81.56	37.06	2
		10	97.19	105.25	53.00	2.00	88.19	40.88	2
		11	104.88	111.94	60.69	2.00	94.88	44.75	2
		12	112.50	118.50	68.31	2.00	101.44	48.56	2
		13	120.13	125.13	75.94	2.00	108.06	52.38	2
		14	127.75	131.75	83.56	2.00	114.63	56.19	2
		15	135.38	138.31	91.19	2.00	121.25	60.00	2
		16	143.06	145.00	98.88	2.00	127.94	63.81	2
		17	150.69	151.56	106.50	2.00	134.50	67.63	2
		18	158.31	158.19	114.13	2.00	141.13	71.44	2
		19	165.94	164.81	121.75	2.00	147.75	75.25	2
		20	173.63	171.44	129.44	2.00	154.38	79.13	2

SPOUT DIA. A	FLOW K	NO. OF OUTLETS	DIMENSIONS (in)						BODY STYLE
			E	OAH	F	J	DD	H	
20	60	4 to 5	63.88	99.75	44.00	1.5	58.13	23.38	1
		6	72.19	99.75	44.00	2	65.31	27.56	1
		7	80.44	99.75	44.00	2	72.50	31.69	1
		8	88.69	99.75	44.00	2	79.63	35.81	1
		9	97.00	104.38	49.38	2	86.81	39.94	2
		10	105.25	111.56	57.63	2	94.00	44.06	2
		11	113.56	118.75	65.94	2	101.19	48.25	2
		12	121.81	125.88	74.19	2	108.31	52.38	2
		13	130.06	133.06	82.44	2	115.44	56.50	2
		14	138.38	140.25	90.75	2	122.69	60.63	2
		15	146.63	147.38	99.00	2	129.81	64.75	2

H&S MODEL E ROTARY DISTRIBUTORS

60 DEGREE FLOW

SPOUT DIA. A	FLOW K	NO. OF OUTLETS	DIMENSIONS (in)						BODY STYLE
			E	OAH	F	J	DD	H	
22	60	4 to 5	68.81	102.00	44.00	1.5	61.19	24.94	1
		6	77.75	102.00	44.00	2	68.94	29.44	1
		7	86.63	102.00	44.00	2	76.63	33.88	1
		8	95.56	102.44	44.44	2	84.31	38.31	2
		9	104.44	110.13	53.31	2	92.00	42.75	2
		10	113.38	117.81	62.25	2	99.75	47.25	2
		11	122.31	125.56	71.19	2	107.50	51.69	2
		12	131.19	133.25	80.06	2	115.19	56.13	2
		13	140.13	141.00	89.00	2	122.94	60.63	2

SPOUT DIA. A	FLOW K	NO. OF OUTLETS	DIMENSIONS (in)						BODY STYLE
			E	OAH	F	J	DD	H	
24	60	4 to 5	73.75	104.25	44.00	2	64.19	26.56	1
		6	83.31	104.25	44.00	2	72.50	31.38	1
		7	92.88	104.25	44.00	2	80.75	36.13	1
		8	102.38	107.56	47.81	2	89.00	40.88	2
		9	111.94	115.81	57.38	2	97.25	45.69	2
		10	121.50	124.13	66.94	2	105.56	50.44	2
		11	131.06	132.44	76.50	2	113.81	55.25	2
		12	140.56	140.63	86.00	2	122.06	60.00	2

SPOUT DIA. A	FLOW K	NO. OF OUTLETS	DIMENSIONS (in)						BODY STYLE
			E	OAH	F	J	DD	H	
26	60	4	68.44	106.56	44.00	1.50	58.44	23.06	1
		5	78.63	106.56	44.00	2.00	67.25	28.19	1
		6	88.81	106.56	44.00	2.00	76.06	33.25	1
		7	99.00	106.56	44.00	2.00	84.88	38.38	2
		8	109.19	112.75	51.19	2.00	93.69	43.44	2
		9	119.38	121.56	61.38	2.00	102.50	48.56	2
		10	129.56	130.44	71.56	2.00	111.31	53.63	2

H&S MODEL E ROTARY DISTRIBUTORS

60 DEGREE FLOW

SPOUT DIA. A	FLOW K	NO. OF OUTLETS	DIMENSIONS (in)						BODY STYLE
			E	OAH	F	J	DD	H	
28	60	4	72.75	108.81	44.00	2	60.88	24.38	1
		5	83.56	108.81	44.00	2	70.25	29.75	1
		6	94.38	108.81	44.00	2	79.63	35.19	1
		7	105.19	108.56	43.69	2	89.00	40.56	2
		8	116.00	117.94	54.50	2	98.38	46.00	2
		9	126.81	127.31	65.31	2	107.69	51.38	2
		10	137.69	136.69	76.19	2	117.13	56.81	2

SPOUT DIA. A	FLOW K	NO. OF OUTLETS	DIMENSIONS (in)						BODY STYLE
			E	OAH	F	J	DD	H	
30	60	4	77.00	111.06	44.00	2.00	63.31	25.63	1
		5	88.50	111.06	44.00	2.00	73.31	31.38	1
		6	99.94	111.06	44.00	2.00	83.19	37.06	2
		7	111.38	113.19	46.44	2.00	93.13	42.81	2
		8	122.88	123.13	57.94	2.00	103.06	48.56	2
		9	134.31	133.06	69.38	2.00	112.94	54.25	2
		10	145.75	142.94	80.81	2.00	122.88	60.00	2