



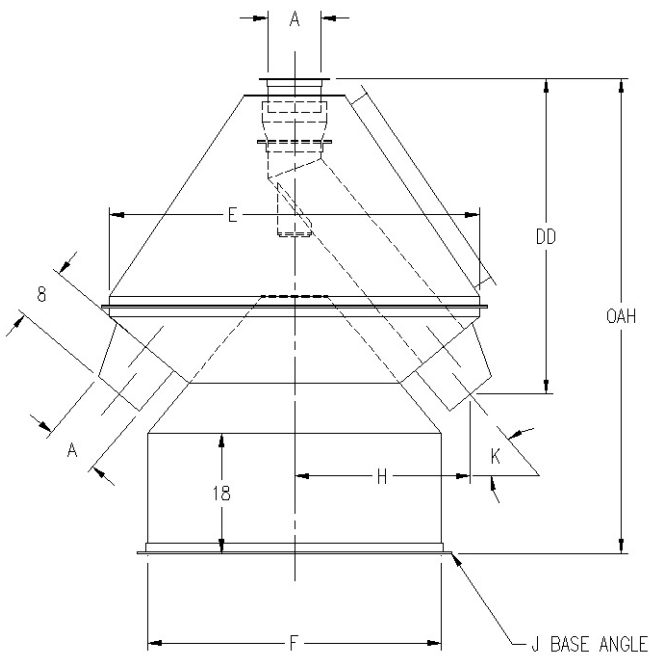
HAYES & STOLZ

INDUSTRIAL MANUFACTURING CO.

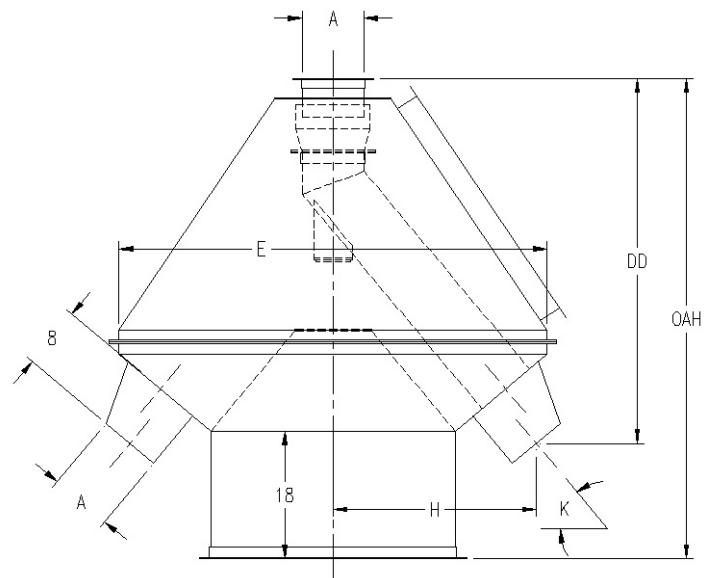
3521 Hemphill St. Fort Worth, TX 76110 817.926.3391 800.725.7272 817.926.4133 - Fax www.hayes-stolz.com

H&S MODEL E ROTARY DISTRIBUTORS

50 DEGREE FLOW



STYLE 1



STYLE 2

H&S MODEL E ROTARY DISTRIBUTORS

50 DEGREE FLOW

SPOUT DIA. A	FLOW K	NO. OF OUTLETS	DIMENSION (in)						BODY STYLE
			E	OAH	F	J	DD	H	
8	50	4 to 6	35.56	70.88	44.00	1.5	35.31	16.44	1
		7	39.69	70.88	44.00	1.5	37.75	18.50	1
		8	43.88	70.88	44.00	1.5	40.25	20.56	1
		9	50.88	70.88	44.00	1.5	44.44	24.06	1
		10	55.31	70.88	44.00	1.5	47.06	26.31	1
		11	59.75	70.88	44.00	1.5	49.69	28.50	1
		12	64.25	70.88	44.00	1.5	52.38	30.75	1
		13	68.69	71.38	44.94	1.5	55.06	33.00	2
		14	73.13	74.06	49.38	2	57.69	35.19	2
		15	77.63	76.75	53.88	2	60.38	37.44	2
		16	82.06	79.38	58.31	2	63.00	39.69	2
		17	86.50	82.00	62.75	2	65.63	41.88	2
		18	90.94	84.69	67.19	2	68.31	44.13	2
		19	95.44	87.31	71.69	2	71.00	46.38	2
		20	99.88	90.00	76.13	2	73.63	48.56	2
		21	104.31	92.63	80.56	2	76.25	50.81	2
		22	108.81	95.31	85.06	2	78.94	53.06	2
		23	113.25	97.94	89.50	2	81.56	55.25	2
		24	117.69	100.63	93.94	2	84.25	57.50	2
		25	122.19	103.31	98.44	2	86.94	59.75	2
26	126.63	105.94	102.88	2	89.56	61.94	2		
27	131.06	108.56	107.31	2	92.19	64.19	2		
28	135.50	111.19	111.75	2	94.88	66.38	2		

H&S MODEL E ROTARY DISTRIBUTORS

50 DEGREE FLOW

SPOUT DIA. A	FLOW K	NO. OF OUTLETS	DIMENSION (in)						BODY STYLE
			E	OAH	F	J	DD	H	
10	50	4 to 6	40.88	72.81	44.00	1.5	37.94	18.31	1
		7	45.69	72.81	44.00	1.5	40.81	20.69	1
		8	50.44	72.81	44.00	1.5	43.63	23.06	1
		9	58.06	72.81	44.00	1.5	48.19	26.88	1
		10	63.19	72.81	44.00	1.5	51.25	29.44	1
		11	68.25	72.81	44.00	1.5	54.25	32.00	1
		12	73.38	74.31	46.56	2	57.31	34.56	2
		13	78.44	77.31	51.63	2	60.31	37.06	2
		14	83.56	80.38	56.75	2	63.38	39.63	2
		15	88.63	83.38	61.81	2	66.38	42.19	2
		16	93.75	86.44	66.94	2	69.44	44.75	2
		17	98.81	89.44	72.00	2	72.44	47.25	2
		18	103.94	92.50	77.13	2	75.50	49.81	2
		19	109.00	95.56	82.19	2	78.50	52.38	2
		20	114.13	98.56	87.31	2	81.56	54.94	2
		21	119.19	101.63	92.38	2	84.63	57.44	2
		22	124.31	104.69	97.50	2	87.63	60.00	2
		23	129.38	107.69	102.56	2	90.69	62.56	2
		24	134.50	110.75	107.69	2	93.69	65.13	2
		25	139.56	113.75	112.75	2	96.75	67.63	2

SPOUT DIA. A	FLOW K	NO. OF OUTLETS	DIMENSION (in)						BODY STYLE
			E	OAH	F	J	DD	H	
12	50	4 to 5	40.88	74.69	44.00	1.5	37.38	17.56	1
		6	46.25	74.69	44.00	1.5	40.56	20.25	1
		7	51.69	74.69	44.00	1.5	43.81	22.94	1
		8	57.13	74.69	44.00	1.5	47.06	25.69	1
		9	65.38	74.69	44.00	1.5	51.94	29.81	1
		10	71.13	74.69	44.00	2	55.38	32.69	1
		11	76.81	76.44	46.94	2	58.75	35.50	2
		12	82.56	79.88	52.69	2	62.19	38.38	2
		13	88.31	83.31	58.44	2	65.63	41.25	2
		14	94.00	86.69	64.13	2	69.00	44.13	2
		15	99.75	90.13	69.88	2	72.44	47.00	2
		16	105.50	93.50	75.63	2	75.88	49.88	2
		17	111.19	96.94	81.31	2	79.25	52.69	2
		18	116.94	100.31	87.06	2	82.69	55.56	2
		19	122.69	103.75	92.81	2	86.13	58.44	2
		20	128.38	107.19	98.50	2	89.50	61.31	2
		21	134.13	110.56	104.25	2	92.94	64.19	2
		22	139.88	114.00	110.00	2	96.38	67.06	2

H&S MODEL E ROTARY DISTRIBUTORS

50 DEGREE FLOW

SPOUT DIA. A	FLOW K	NO. OF OUTLETS	DIMENSIONS (in)						BODY STYLE
			E	OAH	F	J	DD	H	
14	50	4 to 5	45.56	76.63	44.00	1.5	39.63	19.13	1
		6	51.63	76.63	44.00	1.5	43.25	22.13	1
		7	57.63	76.63	44.00	1.5	46.81	25.13	1
		8	63.69	76.63	44.00	1.5	50.44	28.19	1
		9	72.63	76.63	44.00	2	55.75	32.63	1
		10	79.00	77.88	46.06	2	59.56	35.81	2
		11	85.31	81.63	52.38	2	63.31	39.00	2
		12	91.69	85.44	58.75	2	67.13	42.19	2
		13	98.06	89.19	65.13	2	70.94	45.38	2
		14	104.44	93.00	71.50	2	74.69	48.56	2
		15	110.81	96.81	77.88	2	78.50	51.75	2
		16	117.19	100.63	84.25	2	82.31	54.94	2
		17	123.56	104.38	90.63	2	86.13	58.13	2
		18	129.88	108.19	96.94	2	89.88	61.25	2
		19	136.25	111.94	103.31	2	93.69	64.44	2
		20	142.63	115.75	109.69	2	97.44	67.63	2
		21	149.00	119.56	116.06	2	101.25	70.81	2
		22	155.38	123.38	122.44	2	105.06	74.00	2

SPOUT DIA. A	FLOW K	NO. OF OUTLETS	DIMENSIONS (in)						BODY STYLE
			E	OAH	F	J	DD	H	
16	50	4 to 5	51.88	78.50	44.00	1.5	42.81	21.50	1
		6	58.88	78.50	44.00	1.5	47.00	25.00	1
		7	65.88	78.50	44.00	1.5	51.19	28.50	1
		8	72.88	78.50	44.00	2	55.31	32.00	1
		9	79.88	78.44	43.88	2	59.50	35.50	2
		10	86.88	82.63	50.88	2	63.69	39.00	2
		11	93.88	86.81	57.88	2	67.88	42.50	2
		12	100.94	91.00	64.94	2	72.06	46.06	2
		13	107.94	95.19	71.94	2	76.25	49.56	2
		14	114.94	99.31	78.94	2	80.38	53.06	2
		15	121.94	103.50	85.94	2	84.56	56.56	2
		16	128.94	107.69	92.94	2	88.75	60.06	2
		17	135.94	111.88	99.94	2	92.94	63.56	2
		18	142.94	116.00	106.94	2	97.06	67.06	2
		19	149.94	120.19	113.94	2	101.25	70.56	2
		20	156.94	124.38	120.94	2	105.44	74.06	2
		21	163.94	128.56	127.94	2	109.63	77.56	2
		22	170.94	132.69	134.94	2	113.75	81.06	2

H&S MODEL E ROTARY DISTRIBUTORS

50 DEGREE FLOW

SPOUT DIA. A	FLOW K	NO. OF OUTLETS	DIMENSIONS (in)					BODY STYLE	
			E	OAH	F	J	DD		H
18	50	4 to 5	56.56	80.44	44.00	1.5	45.06	23.06	1
		6	64.19	80.44	44.00	1.5	49.63	26.88	1
		7	71.88	80.44	44.00	2	54.19	30.75	1
		8	79.50	80.44	44.00	2	58.75	34.56	1
		9	87.13	82.88	48.06	2	63.31	38.38	2
		10	94.75	87.44	55.69	2	67.81	42.19	2
		11	102.44	92.00	63.38	2	72.44	46.00	2
		12	110.06	96.56	71.00	2	76.94	49.81	2
		13	117.69	101.06	78.63	2	81.50	53.63	2
		14	125.31	105.63	86.25	2	86.06	57.44	2
		15	132.94	110.19	93.88	2	90.56	61.25	2
		16	140.63	114.75	101.56	2	95.19	65.13	2
		17	148.25	119.31	109.19	2	99.69	68.94	2
		18	155.88	123.88	116.81	2	104.25	72.75	2
		19	163.50	128.38	124.44	2	108.81	76.56	2
		20	171.19	133.00	132.13	2	113.38	80.38	2

SPOUT DIA. A	FLOW K	NO. OF OUTLETS	DIMENSIONS (in)					BODY STYLE	
			E	OAH	F	J	DD		H
20	50	4	53.06	82.38	44.00	1.5	42.44	20.56	1
		5	61.31	82.38	44.00	1.5	47.38	24.69	1
		6	69.63	82.38	44.00	1.5	52.31	28.88	1
		7	77.88	82.38	44.00	2	57.19	33.00	1
		8	86.13	82.38	44.00	2	62.13	37.13	1
		9	94.44	87.31	52.31	2	67.06	41.25	2
		10	102.69	92.25	60.56	2	72.00	45.38	2
		11	111.00	97.19	68.88	2	76.94	49.56	2
		12	119.25	102.13	77.13	2	81.88	53.69	2
		13	127.50	107.00	85.38	2	86.81	57.81	2
		14	135.81	111.94	93.69	2	91.75	61.94	2
		15	144.06	116.88	101.94	2	96.63	66.06	2

H&S MODEL E ROTARY DISTRIBUTORS

50 DEGREE FLOW

SPOUT DIA. A	FLOW K	NO. OF OUTLETS	DIMENSIONS (in)						BODY STYLE
			E	OAH	F	J	DD	H	
22	50	4	57.06	84.31	44.00	1.5	44.31	21.81	1
		5	66.00	84.31	44.00	1.5	49.63	26.25	1
		6	74.94	84.31	44.00	2	54.94	30.75	1
		7	83.81	84.31	44.00	2	60.25	35.19	1
		8	92.75	86.44	47.56	2	65.56	39.63	2
		9	101.63	91.69	56.44	2	70.81	44.06	2
		10	110.56	97.06	65.38	2	76.19	48.56	2
		11	119.50	102.38	74.31	2	81.50	53.00	2
		12	128.38	107.63	83.19	2	86.75	57.44	2
		13	137.31	113.00	92.13	2	92.13	61.94	2

POUT DIA. A	FLOW K	NO. OF OUTLETS	DIMENSIONS (in)						BODY STYLE
			E	OAH	F	J	DD	H	
24	50	4	61.19	86.19	44.00	1.5	46.19	23.13	1
		5	70.75	86.19	44.00	1.5	51.88	27.88	1
		6	80.31	86.19	44.00	2	57.56	32.69	1
		7	89.88	86.19	44.00	2	63.25	37.44	1
		8	99.38	90.44	51.13	2	68.94	42.19	2
		9	108.94	96.13	60.69	2	74.63	47.00	2
		10	118.50	101.81	70.25	2	80.31	51.75	2
		11	128.06	107.56	79.81	2	86.00	56.56	2
		12	137.56	113.19	89.31	2	91.69	61.31	2

SPOUT DIA. A	FLOW K	NO. OF OUTLETS	DIMENSIONS (in)						BODY STYLE
			E	OAH	F	J	DD	H	
26	50	4	65.25	88.13	44.00	1.50	48.06	24.38	1
		5	75.44	88.13	44.00	2.00	54.13	29.44	1
		6	85.63	88.13	44.00	2.00	60.19	34.56	1
		7	95.81	88.44	44.50	2.00	66.25	39.63	2
		8	106.00	94.50	54.69	2.00	72.38	44.75	2
		9	116.19	100.56	64.88	2.00	78.44	49.81	2
		10	126.38	106.63	75.06	2.00	84.50	54.94	2

H&S MODEL E ROTARY DISTRIBUTORS

50 DEGREE FLOW

SPOUT DIA. A	FLOW K	NO. OF OUTLETS	DIMENSIONS (in)						BODY STYLE
			E	OAH	F	J	DD	H	
28	50	4	69.38	90.06	44.00	1.5	49.94	25.69	1
		5	80.19	90.06	44.00	2	56.38	31.06	1
		6	91.00	90.06	44.00	2	62.81	36.50	1
		7	101.81	92.06	47.44	2	69.31	41.88	2
		8	112.63	98.50	58.25	2	75.75	47.31	2
		9	123.44	105.00	69.06	2	82.19	52.69	2
		10	134.31	111.44	79.94	2	88.63	58.13	2

SPOUT DIA. A	FLOW K	NO. OF OUTLETS	DIMENSIONS (in)						BODY STYLE
			E	OAH	F	J	DD	H	
30	50	4	73.38	92.00	44.00	2.00	51.81	26.88	1
		5	84.88	92.00	44.00	2.00	58.69	32.63	1
		6	96.31	92.00	44.00	2.00	65.50	38.38	2
		7	107.75	95.75	50.31	2.00	72.31	44.06	2
		8	119.25	102.56	61.81	2.00	79.13	49.81	2
		9	130.69	109.38	73.25	2.00	85.94	55.56	2
		10	142.13	116.25	84.69	2.00	92.75	61.25	2