



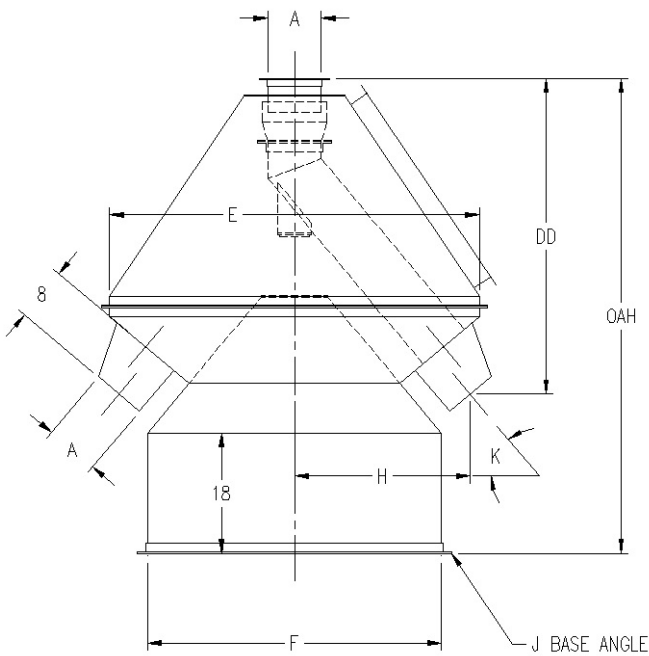
HAYES & STOLZ

INDUSTRIAL MANUFACTURING CO.

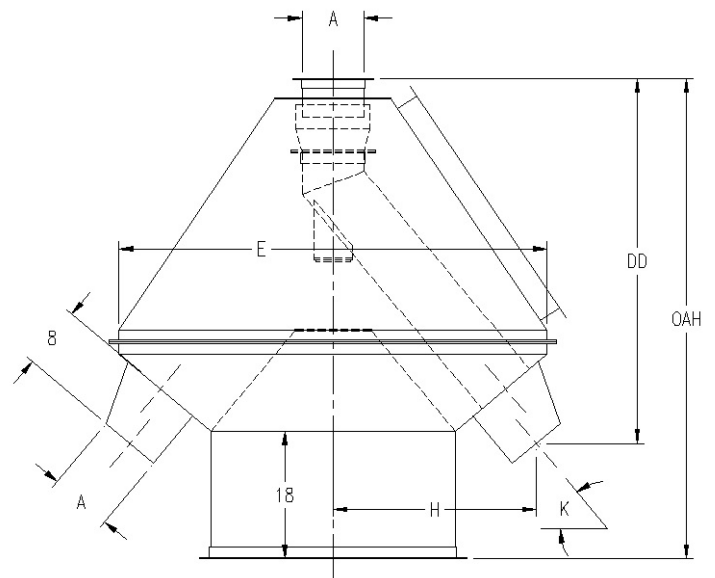
3521 Hemphill St. Fort Worth, TX 76110 817.926.3391 800.725.7272 817.926.4133 - Fax www.hayes-stolz.com

H&S MODEL E ROTARY DISTRIBUTORS

45 DEGREE FLOW



STYLE 1



STYLE 2

H&S MODEL E ROTARY DISTRIBUTORS

45 DEGREE FLOW

SPOUT DIA. A	FLOW K	NO. OF OUTLETS	DIMENSION (in)						BODY STYLE
			E	OAH	F	J	DD	H	
8	45	4-6	34.69	65.69	44.00	1.5	32.75	17.00	1
		7	38.81	65.69	44.00	1.5	34.81	19.06	1
		8	43.00	65.69	44.00	1.5	36.88	21.13	1
		9	50.00	65.69	44.00	1.5	40.38	24.63	1
		10	54.44	65.69	44.00	1.5	42.63	26.88	1
		11	58.88	65.69	44.00	1.5	44.81	29.06	1
		12	63.38	65.69	44.00	1.5	47.06	31.31	1
		13	67.81	66.63	45.88	1.5	49.31	33.56	2
		14	72.25	68.81	50.31	2	51.50	35.75	2
		15	76.75	71.06	54.81	2	53.75	38.00	2
		16	81.19	73.31	59.25	2	56.00	40.25	2
		17	85.63	75.50	63.69	2	58.19	42.44	2
		18	90.06	77.75	68.13	2	60.44	44.69	2
		19	94.56	80.00	72.63	2	62.69	46.94	2
		20	99.00	82.19	77.06	2	64.88	49.13	2
		21	103.44	84.44	81.50	2	67.13	51.38	2
		22	107.94	86.69	86.00	2	69.38	53.63	2
		23	112.38	88.88	90.44	2	71.56	55.81	2
		24	116.81	91.13	94.88	2	73.81	58.06	2
		25	121.31	93.38	99.38	2	76.06	60.31	2
26	125.75	95.56	103.81	2	78.25	62.50	2		
27	130.19	97.81	108.25	2	80.50	64.75	2		
28	134.63	100.00	112.69	2	82.69	66.94	2		

H&S MODEL E ROTARY DISTRIBUTORS

45 DEGREE FLOW

SPOUT DIA. A	FLOW K	NO. OF OUTLETS	DIMENSION (in)						BODY STYLE
			E	OAH	F	J	DD	H	
10	45	4-5	35.19	67.50	44.00	1.5	32.69	16.56	1
		6	39.94	67.50	44.00	1.5	35.06	18.94	1
		7	44.75	67.50	44.00	1.5	37.50	21.31	1
		8	49.50	67.50	44.00	1.5	39.88	23.69	1
		9	57.13	67.50	44.00	1.5	43.69	27.50	1
		10	62.25	67.50	44.00	1.5	46.25	30.06	1
		11	67.31	67.50	44.00	1.5	48.75	32.63	1
		12	72.44	69.31	47.69	1.5	51.31	35.19	2
		13	77.50	71.88	52.75	2	53.88	37.69	2
		14	82.63	74.44	57.88	2	56.44	40.25	2
		15	87.69	76.94	62.94	2	58.94	42.81	2
		16	92.81	79.50	68.06	2	61.50	45.38	2
		17	97.88	82.06	73.13	2	64.06	47.88	2
		18	103.00	84.63	78.25	2	66.63	50.44	2
		19	108.06	87.13	83.31	2	69.13	53.00	2
		20	113.19	89.69	88.44	2	71.69	55.56	2
		21	118.25	92.25	93.50	2	74.25	58.06	2
		22	123.38	94.81	98.63	2	76.81	60.63	2
		23	128.44	97.31	103.69	2	79.31	63.19	2
		24	133.56	99.88	108.81	2	81.88	65.75	2
25	138.63	102.44	113.88	2	84.44	68.25	2		

SPOUT DIA. A	FLOW K	NO. OF OUTLETS	DIMENSION (in)						BODY STYLE
			E	OAH	F	J	DD	H	
12	45	4-5	39.81	69.25	44.00	1.5	34.69	18.13	1
		6	45.19	69.25	44.00	1.5	37.38	20.81	1
		7	50.63	69.25	44.00	1.5	40.13	23.56	1
		8	56.06	69.25	44.00	1.5	42.81	26.25	1
		9	64.31	69.25	44.00	1.5	46.94	30.38	1
		10	70.06	69.25	44.00	1.5	49.81	33.25	1
		11	75.75	71.38	48.19	2	52.69	36.13	2
		12	81.50	74.25	53.94	2	55.56	39.00	2
		13	87.25	77.13	59.69	2	58.44	41.88	2
		14	92.94	79.94	65.38	2	61.25	44.69	2
		15	98.69	82.81	71.13	2	64.13	47.56	2
		16	104.44	85.69	76.88	2	67.00	50.44	2
		17	110.13	88.56	82.56	2	69.88	53.31	2
		18	115.88	91.44	88.31	2	72.75	56.19	2
		19	121.63	94.31	94.06	2	75.63	59.06	2
		20	127.31	97.13	99.75	2	78.44	61.88	2
		21	133.06	100.00	105.50	2	81.31	64.75	2
		22	138.81	102.88	111.25	2	84.19	67.63	2

H&S MODEL E ROTARY DISTRIBUTORS

45 DEGREE FLOW

SPOUT DIA. A	FLOW K	NO. OF OUTLETS	DIMENSIONS (in)						BODY STYLE
			E	OAH	F	J	DD	H	
14	45	4-5	44.38	71.13	44.00	1.5	36.69	19.75	1
		6	50.44	71.13	44.00	1.5	39.75	22.75	1
		7	56.44	71.13	44.00	1.5	42.75	25.75	1
		8	62.50	71.13	44.00	1.5	45.75	28.81	1
		9	71.44	71.13	44.00	2	50.25	33.25	1
		10	77.81	72.81	47.44	2	53.44	36.44	2
		11	84.13	76.00	53.75	2	56.56	39.63	2
		12	90.50	79.19	60.13	2	59.75	42.81	2
		13	96.88	82.38	66.50	2	62.94	46.00	2
		14	103.25	85.56	72.88	2	66.13	49.19	2
		15	109.63	88.75	79.25	2	69.31	52.38	2
		16	116.00	91.94	85.63	2	72.50	55.56	2
		17	122.38	95.13	92.00	2	75.69	58.75	2
		18	128.69	98.25	98.31	2	78.88	61.88	2
		19	135.06	101.44	104.69	2	82.06	65.06	2
		20	141.44	104.63	111.06	2	85.25	68.25	2
		21	147.81	107.81	117.44	2	88.44	71.44	2
		22	154.19	111.00	123.81	2	91.63	74.63	2

SPOUT DIA. A	FLOW K	NO. OF OUTLETS	DIMENSIONS (in)						BODY STYLE
			E	OAH	F	J	DD	H	
16	45	4	43.56	72.94	44.00	1.5	36.00	18.56	1
		5	50.56	72.94	44.00	1.5	39.50	22.06	1
		6	57.56	72.94	44.00	1.5	43.00	25.56	1
		7	64.56	72.94	44.00	1.5	46.50	29.06	1
		8	71.56	72.94	44.00	2	50.00	32.56	1
		9	78.56	73.63	45.31	2	53.50	36.06	2
		10	85.56	77.13	52.31	2	57.00	39.56	2
		11	92.56	80.63	59.31	2	60.50	43.06	2
		12	99.63	84.13	66.38	2	64.00	46.63	2
		13	106.63	87.63	73.38	2	67.50	50.13	2
		14	113.63	91.13	80.38	2	71.00	53.63	2
		15	120.63	94.63	87.38	2	74.50	57.13	2
		16	127.63	98.13	94.38	2	78.00	60.63	2
		17	134.63	101.63	101.38	2	81.50	64.13	2
		18	141.63	105.13	108.38	2	85.00	67.63	2
		19	148.63	108.63	115.38	2	88.50	71.13	2
		20	155.63	112.13	122.38	2	92.00	74.63	2
		21	162.63	115.63	129.38	2	95.50	78.13	2
22	169.63	119.13	136.38	2	99.00	81.63	2		

H&S MODEL E ROTARY DISTRIBUTORS

45 DEGREE FLOW

SPOUT DIA. A	FLOW K	NO. OF OUTLETS	DIMENSIONS (in)						BODY STYLE
			E	OAH	F	J	DD	H	
18	45	4	47.56	74.75	44.00	1.5	37.69	19.88	1
		5	55.19	74.75	44.00	1.5	41.50	23.69	1
		6	62.81	74.75	44.00	1.5	45.31	27.50	1
		7	70.50	74.75	44.00	1.5	49.19	31.38	1
		8	78.13	74.75	44.00	2	53.00	35.19	1
		9	85.75	77.63	49.69	2	56.81	39.00	2
		10	93.38	81.44	57.31	2	60.63	42.81	2
		11	101.06	85.25	65.00	2	64.44	46.63	2
		12	108.69	89.06	72.63	2	68.25	50.44	2
		13	116.31	92.88	80.25	2	72.06	54.25	2
		14	123.94	96.69	87.88	2	75.88	58.06	2
		15	131.56	100.50	95.50	2	79.69	61.88	2
		16	139.25	104.38	103.19	2	83.56	65.75	2
		17	146.88	108.19	110.81	2	87.38	69.56	2
		18	154.50	112.00	118.44	2	91.19	73.38	2
		19	162.13	115.81	126.06	2	95.00	77.19	2
		20	169.81	119.63	133.75	2	98.81	81.00	2

SPOUT DIA. A	FLOW K	NO. OF OUTLETS	DIMENSIONS (in)						BODY STYLE
			E	OAH	F	J	DD	H	
20	45	4	51.50	76.63	44.00	1.5	39.38	21.19	1
		5	59.75	76.63	44.00	1.5	43.50	25.31	1
		6	68.06	76.63	44.00	1.5	47.69	29.44	1
		7	76.31	76.63	44.00	2	51.81	33.56	1
		8	84.56	77.44	45.69	2	55.94	37.69	2
		9	92.88	81.63	54.00	2	60.06	41.88	2
		10	101.13	85.75	62.25	2	64.19	46.00	2
		11	109.44	89.88	70.56	2	68.38	50.13	2
		12	117.69	94.00	78.81	2	72.50	54.25	2
		13	125.94	98.13	87.06	2	76.63	58.38	2
		14	134.25	102.31	95.38	2	80.75	62.56	2
		15	142.50	106.44	103.63	2	84.88	66.69	2

H&S MODEL E ROTARY DISTRIBUTORS

45 DEGREE FLOW

SPOUT DIA. A	FLOW K	NO. OF OUTLETS	DIMENSIONS (in)					BODY STYLE	
			E	OAH	F	J	DD		H
22	45	4	55.44	78.44	44.00	1.5	41.06	22.38	1
		5	64.38	78.44	44.00	1.5	45.50	26.88	1
		6	73.31	78.44	44.00	2	50.00	31.31	1
		7	82.19	78.44	44.00	2	54.44	35.75	1
		8	91.13	81.13	49.38	2	58.88	40.25	2
		9	100.00	85.56	58.25	2	63.31	44.69	2
		10	108.94	90.06	67.19	2	67.81	49.13	2
		11	117.88	94.50	76.13	2	72.25	53.63	2
		12	126.75	98.94	85.00	2	76.69	58.06	2
		13	135.69	103.44	93.94	2	81.19	62.50	2

SPOUT DIA. A	FLOW K	NO. OF OUTLETS	DIMENSIONS (in)					BODY STYLE	
			E	OAH	F	J	DD		H
24	45	4	59.38	80.31	44.00	1.5	42.75	23.69	1
		5	68.94	80.31	44.00	1.5	47.50	28.44	1
		6	78.50	80.31	44.00	2	52.31	33.25	1
		7	88.06	80.06	43.50	2	57.06	38.00	2
		8	97.56	84.81	53.00	2	61.81	42.75	2
		9	107.13	89.56	62.56	2	66.63	47.56	2
		10	116.69	94.38	72.13	2	71.38	52.31	2
		11	126.25	99.13	81.69	2	76.19	57.13	2
		12	135.75	103.88	91.19	2	80.94	61.88	2

SPOUT DIA. A	FLOW K	NO. OF OUTLETS	DIMENSIONS (in)					BODY STYLE	
			E	OAH	F	J	DD		H
26	45	4	63.37	82.1	44	1.5	44.44	24.97	1
		5	73.56	82.1	44	2	49.53	30.06	1
		6	83.75	82.1	44	2	54.63	35.16	1
		7	93.93	83.37	46.55	2	59.72	40.25	2
		8	104.12	88.47	56.74	2	64.81	45.34	2
		9	114.3	93.56	66.92	2	69.9	50.43	2
		10	124.49	98.65	77.11	2	75	55.53	2

H&S MODEL E ROTARY DISTRIBUTORS

45 DEGREE FLOW

SPOUT DIA. A	FLOW K	NO. OF OUTLETS	DIMENSIONS (in)						BODY STYLE
			E	OAH	F	J	DD	H	
28	45	4	67.38	83.94	44.00	1.5	46.13	26.25	1
		5	78.19	83.94	44.00	2	51.56	31.69	1
		6	89.00	83.94	44.00	2	56.94	37.06	1
		7	99.81	86.75	49.63	2	62.38	42.50	2
		8	110.63	92.13	60.44	2	67.75	47.88	2
		9	121.44	97.56	71.25	2	73.19	53.31	2
		10	132.31	103.00	82.13	2	78.63	58.75	2

SPOUT DIA. A	FLOW K	NO. OF OUTLETS	DIMENSIONS (in)						BODY STYLE
			E	OAH	F	J	DD	H	
30	45	71.25	85.75	44.00	2.00	47.81	27.50	71.25	1
		82.75	85.75	44.00	2.00	53.56	33.25	82.75	1
		94.19	85.75	44.00	2.00	59.25	38.94	94.19	2
		105.63	90.06	52.56	2.00	65.00	44.69	105.63	2
		117.13	95.81	64.06	2.00	70.75	50.44	117.13	2
		128.56	101.50	75.50	2.00	76.44	56.13	128.56	2
		140.00	107.25	86.94	2.00	82.19	61.88	140.00	2