



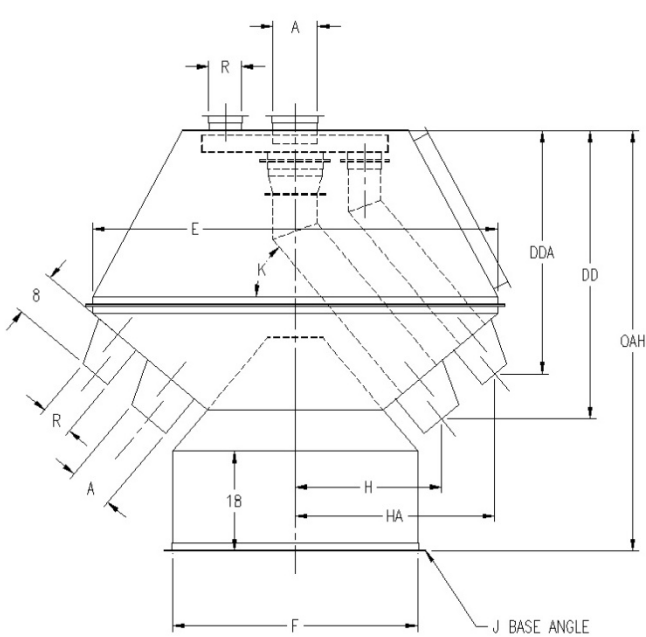
# HAYES & STOLZ

INDUSTRIAL MANUFACTURING CO.

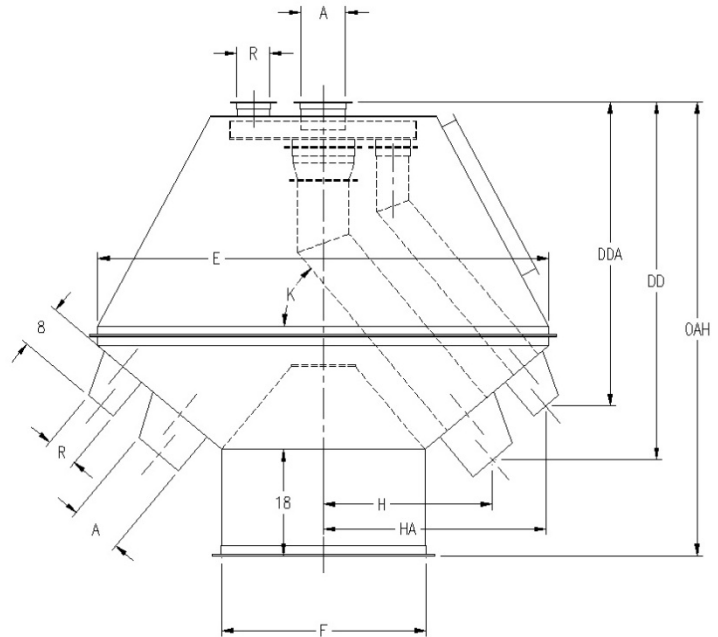
3521 Hemphill St. Fort Worth, TX 76110 817.926.3391 800.725.7272 817.926.4133 - Fax www.hayes-stolz.com

## H&S MODEL E4N ROTARY DISTRIBUTORS

### 60 DEGREE FLOW



STYLE 1



STYLE 2

## H&S MODEL E4N ROTARY DISTRIBUTORS

### 60 DEGREE FLOW

SPOUT DIA. A	FLOW K	RETURN DIA. R	NO. OF OUTLETS	DIMENSION (in)							BODY STYLE
				E	OAH	F	DD	DDA	H	HA	
10	60	6	4	60.69	104.88	50.00	57.06	50.31	17.00	28.69	1
			5	60.69	104.88	50.00	57.06	50.31	17.00	28.69	1
			6	60.69	104.88	50.00	57.06	50.31	17.00	28.69	1
			7	65.44	104.88	50.00	61.19	54.44	19.44	31.13	1
			8	70.25	104.88	50.00	65.31	58.56	21.81	33.50	1
			9	77.88	104.88	50.00	71.94	65.19	25.63	37.31	1
			10	83.00	104.88	50.00	76.31	69.56	28.19	39.88	1
			11	88.06	104.88	50.00	80.75	74.00	30.69	42.38	1
			12	93.19	104.88	50.00	85.19	78.44	33.25	44.94	1
			13	98.25	104.88	50.00	89.56	82.81	35.81	47.50	1
			14	103.31	109.06	54.88	94.00	87.25	38.38	50.06	2
			15	108.44	113.44	59.94	98.38	91.63	40.88	52.56	2
			16	113.56	117.88	65.06	102.81	96.06	43.44	55.13	2
			17	118.63	122.25	70.13	107.19	100.44	46.00	57.69	2
			18	123.69	126.69	75.25	111.63	104.88	48.56	60.25	2
			19	128.81	131.13	80.31	116.06	109.31	51.06	62.75	2
			20	133.88	135.56	85.44	120.44	113.69	53.63	65.31	2
			21	139.00	139.94	90.50	124.88	118.13	56.19	67.88	2
			22	144.06	144.38	95.63	129.25	122.50	58.75	70.44	2
			23	149.19	148.75	100.69	133.69	126.94	61.25	72.94	2
			24	154.25	153.13	105.75	138.06	131.31	63.81	75.50	2
			25	159.38	157.56	110.88	142.50	135.75	66.38	78.06	2

# H&S MODEL E4N ROTARY DISTRIBUTORS

## 60 DEGREE FLOW

SPOUT DIA. A	FLOW K	RETURN DIA. R	NO. OF OUTLETS	DIMENSION (in)							BODY STYLE
				E	OAH	F	DD	DDA	H	HA	
12	60	6	4	66.25	107.13	50.00	60.63	53.38	18.94	31.50	1
			5	66.25	107.13	50.00	60.63	53.38	18.94	31.50	1
			6	66.25	107.13	50.00	60.63	53.38	18.94	31.50	1
			7	71.63	107.13	50.00	65.31	58.06	21.63	34.19	1
			8	77.06	107.13	50.00	70.00	62.75	24.38	36.88	1
			9	85.38	107.13	50.00	77.19	69.94	28.50	41.06	1
			10	91.06	107.13	50.00	82.13	74.88	31.38	43.94	1
			11	96.81	107.13	50.00	87.06	79.81	34.19	46.75	1
			12	102.50	107.63	50.56	92.06	84.81	37.06	49.63	2
			13	108.25	112.63	56.31	97.00	89.75	39.94	52.50	2
			14	114.00	117.50	62.00	101.94	94.69	42.81	55.38	2
			15	119.69	122.50	67.75	106.94	99.69	45.69	58.25	2
			16	125.44	127.50	73.50	111.88	104.63	48.56	61.06	2
			17	131.19	132.38	79.19	116.88	109.63	51.38	63.94	2
			18	136.88	137.38	84.94	121.81	114.56	54.25	66.81	2
			19	142.63	142.38	90.69	126.75	119.50	57.13	69.69	2
			20	148.38	147.31	96.38	131.75	124.50	60.00	72.56	2
			21	154.13	152.25	102.13	136.69	129.44	62.88	75.44	2
			22	159.81	157.25	107.88	141.69	134.44	65.75	78.31	2

SPOUT DIA. A	FLOW K	RETURN DIA. R	NO. OF OUTLETS	DIMENSION (in)							BODY STYLE
				E	OAH	F	DD	DDA	H	HA	
14	60	8	4	69.19	109.38	50.00	58.94	50.69	17.81	32.13	1
			5	69.19	109.38	50.00	58.94	50.69	17.81	32.13	1
			6	75.25	109.38	50.00	64.19	55.94	20.88	35.13	1
			7	81.31	109.38	50.00	69.44	61.19	23.88	38.19	1
			8	87.38	109.38	50.00	74.69	66.44	26.88	41.19	1
			9	96.25	109.38	50.00	82.38	74.13	31.38	45.63	1
			10	102.63	109.38	50.00	87.88	79.63	34.50	48.81	1
			11	109.00	109.50	50.13	93.44	85.19	37.69	52.00	2
			12	115.38	115.00	56.50	98.94	90.69	40.88	55.19	2
			13	121.75	120.50	62.81	104.44	96.19	44.06	58.38	2
			14	128.13	126.00	69.19	109.94	101.69	47.25	61.56	2
			15	134.44	131.50	75.56	115.44	107.19	50.44	64.75	2
			16	140.81	137.06	81.94	121.00	112.75	53.63	67.94	2
			17	147.19	142.56	88.31	126.50	118.25	56.81	71.13	2
			18	153.56	148.13	94.69	132.00	123.75	60.00	74.31	2
			19	159.94	153.63	101.06	137.50	129.25	63.19	77.50	2
			20	166.31	159.06	107.38	143.00	134.75	66.38	80.63	2
			21	172.69	164.63	113.75	148.56	140.31	69.56	83.81	2
			22	179.00	170.13	120.13	154.06	145.81	72.75	87.00	2

# H&S MODEL E4N ROTARY DISTRIBUTORS

## 60 DEGREE FLOW

SPOUT DIA. A	FLOW K	RETURN DIA. R	NO. OF OUTLETS	DIMENSION (in)							BODY STYLE
				E	OAH	F	DD	DDA	H	HA	
16	60	8	4	75.69	111.69	50.00	63.38	54.63	20.19	35.38	1
			5	75.69	111.69	50.00	63.38	54.63	20.19	35.38	1
			6	82.75	111.69	50.00	69.44	60.69	23.69	38.88	1
			7	89.75	111.69	50.00	75.50	66.75	27.19	42.38	1
			8	96.75	111.69	50.00	81.56	72.81	30.69	45.88	1
			9	103.75	111.69	50.00	87.63	78.88	34.19	49.38	1
			10	110.75	111.69	50.00	93.69	84.94	37.69	52.88	1
			11	117.75	116.31	55.38	99.75	91.00	41.19	56.38	2
			12	124.75	122.38	62.38	105.81	97.06	44.69	59.88	2
			13	131.75	128.44	69.38	111.88	103.13	48.25	63.38	2
			14	138.75	134.50	76.38	117.94	109.19	51.75	66.88	2
			15	145.75	140.56	83.38	124.00	115.25	55.25	70.38	2
			16	152.75	146.63	90.38	130.06	121.31	58.75	73.88	2
			17	159.75	152.69	97.38	136.13	127.38	62.25	77.38	2
			18	166.75	158.75	104.38	142.19	133.44	65.75	80.88	2
			19	173.75	164.81	111.38	148.25	139.50	69.25	84.38	2
			20	180.75	170.94	118.44	154.31	145.56	72.75	87.88	2
			21	187.75	177.00	125.44	160.38	151.63	76.25	91.38	2
			22	194.75	183.06	132.44	166.44	157.69	79.75	94.88	2

SPOUT DIA. A	FLOW K	RETURN DIA. R	NO. OF OUTLETS	DIMENSION (in)							BODY STYLE
				E	OAH	F	DD	DDA	H	HA	
18	60	10	4	84.13	113.94	50.00	66.38	56.63	21.81	38.69	1
			5	84.13	113.94	50.00	66.38	56.63	21.81	38.69	1
			6	91.75	113.94	50.00	73.00	63.25	25.63	42.50	1
			7	99.38	113.94	50.00	79.63	69.88	29.44	46.31	1
			8	107.00	113.94	50.00	86.25	76.50	33.25	50.13	1
			9	114.63	113.94	50.00	92.81	83.06	37.06	53.94	1
			10	122.31	116.50	53.00	99.44	89.69	40.88	57.81	2
			11	129.94	123.13	60.63	106.06	96.31	44.69	61.63	2
			12	137.56	129.81	68.31	112.69	102.94	48.56	65.44	2
			13	145.19	136.38	75.94	119.31	109.56	52.38	69.25	2
			14	152.88	143.00	83.56	125.94	116.19	56.19	73.06	2
			15	160.50	149.63	91.19	132.56	122.81	60.00	76.88	2
			16	168.13	156.25	98.88	139.19	129.44	63.81	80.69	2
			17	175.75	162.88	106.50	145.75	136.00	67.63	84.50	2
			18	183.44	169.44	114.13	152.38	142.63	71.44	88.31	2
			19	191.06	176.06	121.75	159.00	149.25	75.25	92.19	2
			20	198.69	182.75	129.44	165.63	155.88	79.13	96.00	2

# H&S MODEL E4N ROTARY DISTRIBUTORS

## 60 DEGREE FLOW

SPOUT DIA. A	FLOW K	RETURN DIA. R	NO. OF OUTLETS	DIMENSION (in)							BODY STYLE
				E	OAH	F	DD	DDA	H	HA	
20	60	10	4	89.00	116.19	50.00	69.44	59.19	23.38	41.13	1
			5	89.00	116.19	50.00	69.44	59.19	23.38	41.13	1
			6	97.31	116.19	50.00	76.56	66.31	27.50	45.31	1
			7	105.56	116.19	50.00	83.75	73.50	31.69	49.44	1
			8	113.81	116.19	50.00	90.94	80.69	35.81	53.56	1
			9	122.13	116.19	50.00	98.06	87.81	39.94	57.69	1
			10	130.38	122.81	57.63	105.25	95.00	44.06	61.81	2
			11	138.69	130.00	65.94	112.44	102.19	48.25	66.00	2
			12	146.94	137.13	74.19	119.56	109.31	52.38	70.13	2
			13	155.25	144.31	82.50	126.75	116.50	56.50	74.25	2
			14	163.50	151.50	90.75	133.94	123.69	60.63	78.38	2
			15	171.75	158.63	99.00	141.06	130.81	64.75	82.50	2

SPOUT DIA. A	FLOW K	RETURN DIA. R	NO. OF OUTLETS	DIMENSION (in)							BODY STYLE
				E	OAH	F	DD	DDA	H	HA	
22	60	12	4	97.38	118.44	50.00	72.44	61.19	25.00	44.44	1
			5	97.38	118.44	50.00	72.44	61.19	25.00	44.44	1
			6	106.31	118.44	50.00	80.13	68.88	29.44	48.94	1
			7	115.19	118.44	50.00	87.88	76.63	33.88	53.38	1
			8	124.13	118.44	50.00	95.56	84.31	38.38	57.81	1
			9	133.06	121.38	53.38	103.31	92.06	42.81	62.31	2
			10	141.94	129.06	62.25	111.00	99.75	47.25	66.75	2
			11	150.88	136.81	71.19	118.75	107.50	51.75	71.19	2
			12	159.75	144.56	80.13	126.44	115.19	56.19	75.69	2
			13	168.69	152.25	89.00	134.19	122.94	60.63	80.13	2

SPOUT DIA. A	FLOW K	RETURN DIA. R	NO. OF OUTLETS	DIMENSION (in)							BODY STYLE
				E	OAH	F	DD	DDA	H	HA	
24	60	12	4	102.31	120.75	50.00	75.44	63.69	26.56	46.94	1
			5	102.31	120.75	50.00	75.44	63.69	26.56	46.94	1
			6	111.88	120.75	50.00	83.75	72.00	31.38	51.69	1
			7	121.44	120.75	50.00	92.00	80.25	36.13	56.50	1
			8	130.94	120.75	50.00	100.25	88.50	40.88	61.25	1
			9	140.50	127.13	57.38	108.56	96.81	45.69	66.00	2
			10	150.06	135.38	66.94	116.81	105.06	50.44	70.81	2
			11	159.63	143.63	76.44	125.06	113.31	55.25	75.56	2
			12	169.13	151.94	86.00	133.38	121.63	60.00	80.38	2