



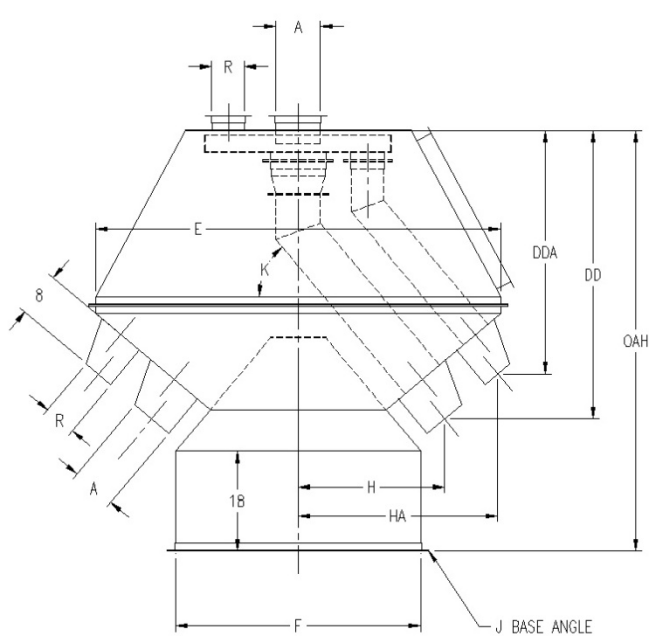
HAYES & STOLZ

INDUSTRIAL MANUFACTURING CO.

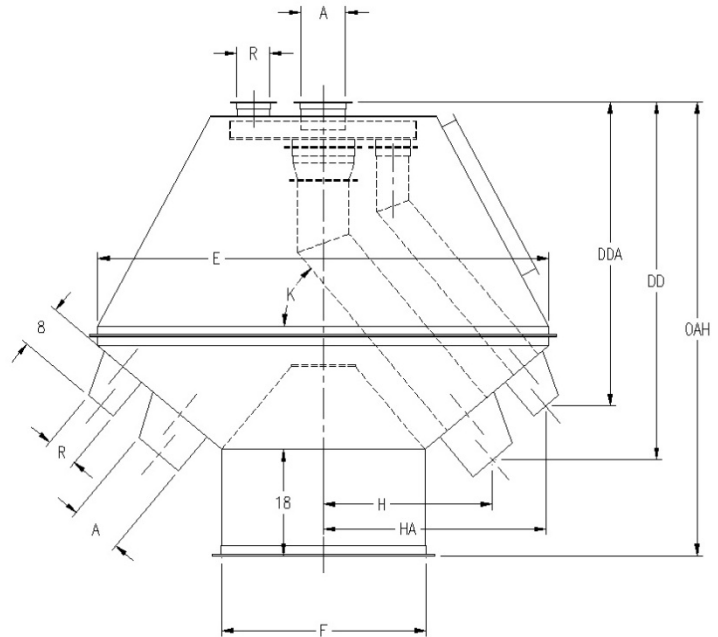
3521 Hemphill St. Fort Worth, TX 76110 817.926.3391 800.725.7272 817.926.4133 - Fax www.hayes-stolz.com

H&S MODEL E4N ROTARY DISTRIBUTORS

50 DEGREE FLOW



STYLE 1



STYLE 2

H&S MODEL E4N ROTARY DISTRIBUTORS

50 DEGREE FLOW

SPOUT DIA. A	FLOW K	RETURN DIA. R	NO. OF OUTLETS	DIMENSION (in)							BODY STYLE
				E	OAH	F	DD	DDA	H	HA	
10	50	6	4	57.00	88.06	50.00	49.69	41.00	18.31	28.69	1
			5	57.00	88.06	50.00	49.69	41.00	18.31	28.69	1
			6	57.00	88.06	50.00	49.69	41.00	18.31	28.69	1
			7	61.75	88.06	50.00	52.50	43.81	20.69	31.06	1
			8	66.56	88.06	50.00	55.38	46.69	23.06	33.44	1
			9	74.19	88.06	50.00	59.94	51.25	26.94	37.25	1
			10	79.25	88.06	50.00	62.94	54.25	29.44	39.81	1
			11	84.38	88.06	50.00	66.00	57.31	32.00	42.38	1
			12	89.44	88.06	50.00	69.00	60.31	34.56	44.88	1
			13	94.56	89.06	51.69	72.06	63.38	37.13	47.44	2
			14	99.63	92.13	56.75	75.06	66.38	39.63	50.00	2
			15	104.75	95.13	61.81	78.13	69.44	42.19	52.50	2
			16	109.81	98.19	66.94	81.19	72.50	44.75	55.06	2
			17	114.94	101.19	72.00	84.19	75.50	47.31	57.63	2
			18	120.00	104.25	77.13	87.25	78.56	49.81	60.19	2
			19	125.13	107.31	82.25	90.25	81.56	52.38	62.75	2
			20	130.19	110.31	87.31	93.31	84.63	54.94	65.25	2
			21	135.31	113.31	92.38	96.31	87.63	57.44	67.81	2
			22	140.38	116.38	97.50	99.38	90.69	60.00	70.38	2
			23	145.50	119.38	102.56	102.44	93.75	62.56	72.88	2
			24	150.56	122.44	107.69	105.44	96.75	65.13	75.44	2
			25	155.69	125.50	112.75	108.50	99.81	67.63	78.00	2

H&S MODEL E4N ROTARY DISTRIBUTORS

50 DEGREE FLOW

SPOUT DIA. A	FLOW K	RETURN DIA. R	NO. OF OUTLETS	DIMENSION (in)							BODY STYLE
				E	OAH	F	DD	DDA	H	HA	
12	50	6	4	56.94	90.00	50.00	49.13	39.81	17.50	28.63	1
			5	56.94	90.00	50.00	49.13	39.81	17.50	28.63	1
			6	62.38	90.00	50.00	52.31	43.00	20.25	31.31	1
			7	67.75	90.00	50.00	55.56	46.25	22.94	34.06	1
			8	73.19	90.00	50.00	58.75	49.44	25.63	36.75	1
			9	81.44	90.00	50.00	63.69	54.38	29.75	40.88	1
			10	87.19	90.00	50.00	67.13	57.81	32.63	43.75	1
			11	92.88	90.00	50.00	70.50	61.19	35.50	46.63	1
			12	98.63	91.63	52.69	73.94	64.63	38.38	49.50	2
			13	104.38	95.00	58.38	77.38	68.06	41.25	52.31	2
			14	110.06	98.44	64.13	80.75	71.44	44.13	55.19	2
			15	115.81	101.88	69.88	84.19	74.88	46.94	58.06	2
			16	121.56	105.25	75.56	87.63	78.31	49.81	60.94	2
			17	127.25	108.69	81.31	91.00	81.69	52.69	63.81	2
			18	133.00	112.13	87.06	94.44	85.13	55.56	66.69	2
			19	138.75	115.50	92.75	97.81	88.50	58.44	69.50	2
			20	144.44	118.94	98.50	101.25	91.94	61.31	72.38	2
			21	150.19	122.31	104.25	104.69	95.38	64.13	75.25	2
			22	155.94	125.75	109.94	108.06	98.75	67.00	78.13	2

SPOUT DIA. A	FLOW K	RETURN DIA. R	NO. OF OUTLETS	DIMENSION (in)							BODY STYLE
				E	OAH	F	DD	DDA	H	HA	
14	50	8	4	64.69	91.94	50.00	51.38	40.75	19.13	31.75	1
			5	64.69	91.94	50.00	51.38	40.75	19.13	31.75	1
			6	70.75	91.94	50.00	54.94	44.31	22.13	34.75	1
			7	76.81	91.94	50.00	58.56	47.94	25.19	37.81	1
			8	82.88	91.94	50.00	62.19	51.56	28.19	40.81	1
			9	91.75	91.94	50.00	67.50	56.88	32.63	45.31	1
			10	98.13	91.94	50.00	71.25	60.63	35.81	48.44	1
			11	104.50	93.38	52.44	75.06	64.44	39.00	51.63	2
			12	110.88	97.13	58.75	78.88	68.25	42.19	54.81	2
			13	117.25	100.94	65.13	82.63	72.00	45.38	58.00	2
			14	123.63	104.75	71.50	86.44	75.81	48.56	61.19	2
			15	129.94	108.56	77.88	90.25	79.63	51.75	64.38	2
			16	136.31	112.31	84.25	94.00	83.38	54.94	67.56	2
			17	142.69	116.13	90.63	97.81	87.19	58.13	70.75	2
			18	149.06	119.94	97.00	101.63	91.00	61.31	73.94	2
			19	155.44	123.69	103.31	105.44	94.81	64.50	77.13	2
			20	161.81	127.50	109.69	109.19	98.56	67.63	80.31	2
			21	168.19	131.31	116.06	113.00	102.38	70.81	83.50	2
			22	174.56	135.06	122.44	116.81	106.19	74.00	86.69	2

H&S MODEL E4N ROTARY DISTRIBUTORS

50 DEGREE FLOW

SPOUT DIA. A	FLOW K	RETURN DIA. R	NO. OF OUTLETS	DIMENSION (in)							BODY STYLE
				E	OAH	F	DD	DDA	H	HA	
16	50	8	4	71.00	93.88	50.00	54.56	43.31	21.50	34.88	1
			5	71.00	93.88	50.00	54.56	43.31	21.50	34.88	1
			6	78.00	93.88	50.00	58.75	47.50	25.00	38.44	1
			7	85.00	93.88	50.00	62.94	51.69	28.50	41.94	1
			8	92.00	93.88	50.00	67.06	55.81	32.00	45.44	1
			9	99.06	93.88	50.00	71.25	60.00	35.50	48.94	1
			10	106.06	94.38	50.88	75.44	64.19	39.00	52.44	2
			11	113.06	98.56	57.88	79.63	68.38	42.50	55.94	2
			12	120.06	102.69	64.88	83.75	72.50	46.00	59.44	2
			13	127.06	106.88	71.88	87.94	76.69	49.50	62.94	2
			14	134.06	111.06	78.88	92.13	80.88	53.00	66.44	2
			15	141.06	115.25	85.88	96.31	85.06	56.50	69.94	2
			16	148.06	119.38	92.88	100.44	89.19	60.00	73.44	2
			17	155.06	123.56	99.88	104.63	93.38	63.50	76.94	2
			18	162.06	127.75	106.88	108.81	97.56	67.00	80.44	2
			19	169.06	131.94	113.88	113.00	101.75	70.50	83.94	2
			20	176.06	136.13	120.94	117.19	105.94	74.00	87.44	2
			21	183.06	140.31	127.94	121.31	110.06	77.50	90.94	2
			22	190.06	144.44	134.94	125.50	114.25	81.00	94.44	2

SPOUT DIA. A	FLOW K	RETURN DIA. R	NO. OF OUTLETS	DIMENSION (in)							BODY STYLE
				E	OAH	F	DD	DDA	H	HA	
18	50	10	4	78.81	95.75	50.00	56.81	44.25	23.06	38.00	1
			5	78.81	95.75	50.00	56.81	44.25	23.06	38.00	1
			6	86.44	95.75	50.00	61.38	48.81	26.94	41.88	1
			7	94.06	95.75	50.00	65.94	53.38	30.75	45.69	1
			8	101.75	95.75	50.00	70.50	57.94	34.56	49.50	1
			9	109.38	95.75	50.00	75.00	62.44	38.38	53.31	1
			10	117.00	99.13	55.69	79.56	67.00	42.19	57.13	2
			11	124.63	103.75	63.38	84.13	71.56	46.00	60.94	2
			12	132.25	108.25	71.00	88.69	76.13	49.81	64.75	2
			13	139.94	112.81	78.63	93.25	80.69	53.63	68.56	2
			14	147.56	117.38	86.25	97.81	85.25	57.44	72.38	2
			15	155.19	121.94	93.94	102.38	89.81	61.31	76.25	2
			16	162.81	126.50	101.56	106.88	94.31	65.13	80.06	2
			17	170.50	131.06	109.19	111.44	98.88	68.94	83.88	2
			18	178.13	135.56	116.81	116.00	103.44	72.75	87.69	2
			19	185.75	140.19	124.50	120.56	108.00	76.56	91.50	2
			20	193.38	144.69	132.13	125.13	112.56	80.38	95.31	2

H&S MODEL E4N ROTARY DISTRIBUTORS

50 DEGREE FLOW

SPOUT DIA. A	FLOW K	RETURN DIA. R	NO. OF OUTLETS	DIMENSION (in)							BODY STYLE
				E	OAH	F	DD	DDA	H	HA	
20	50	10	4	75.25	97.69	50.00	54.13	40.94	20.56	36.25	1
			5	83.50	97.69	50.00	59.06	45.88	24.69	40.38	1
			6	91.81	97.69	50.00	64.00	50.81	28.81	44.50	1
			7	100.06	97.69	50.00	68.94	55.75	32.94	48.69	1
			8	108.31	97.69	50.00	73.88	60.69	37.13	52.81	1
			9	116.63	99.06	52.25	78.81	65.63	41.25	56.94	2
			10	124.88	104.00	60.56	83.75	70.56	45.38	61.06	2
			11	133.19	108.88	68.81	88.69	75.50	49.50	65.19	2
			12	141.44	113.81	77.06	93.63	80.44	53.63	69.38	2
			13	149.75	118.75	85.38	98.56	85.38	57.81	73.50	2
			14	158.00	123.69	93.63	103.44	90.25	61.94	77.63	2
			15	166.25	128.63	101.94	108.38	95.19	66.06	81.75	2

SPOUT DIA. A	FLOW K	RETURN DIA. R	NO. OF OUTLETS	DIMENSION (in)							BODY STYLE
				E	OAH	F	DD	DDA	H	HA	
22	50	12	4	82.38	99.63	50.00	56.06	41.63	21.81	39.06	1
			5	91.31	99.63	50.00	61.31	46.88	26.25	43.50	1
			6	100.19	99.63	50.00	66.69	52.25	30.75	48.00	1
			7	109.13	99.63	50.00	71.94	57.50	35.19	52.44	1
			8	118.00	99.63	50.00	77.25	62.81	39.63	56.88	1
			9	126.94	103.44	56.44	82.56	68.13	44.13	61.31	2
			10	135.88	108.75	65.38	87.88	73.44	48.56	65.81	2
			11	144.75	114.13	74.31	93.19	78.75	53.00	70.25	2
			12	153.69	119.38	83.19	98.50	84.06	57.44	74.69	2
			13	162.56	124.69	92.13	103.81	89.38	61.94	79.19	2

SPOUT DIA. A	FLOW K	RETURN DIA. R	NO. OF OUTLETS	DIMENSION (in)							BODY STYLE
				E	OAH	F	DD	DDA	H	HA	
24	50	12	4	86.44	101.50	50.00	57.94	42.81	23.06	41.13	1
			5	96.00	101.50	50.00	63.63	48.50	27.88	45.88	1
			6	105.56	101.50	50.00	69.31	54.19	32.63	50.63	1
			7	115.13	101.50	50.00	75.00	59.88	37.44	55.44	1
			8	124.63	102.19	51.13	80.69	65.56	42.19	60.19	2
			9	134.19	107.88	60.69	86.38	71.25	46.94	64.94	2
			10	143.75	113.56	70.19	92.06	76.94	51.75	69.75	2
			11	153.31	119.25	79.75	97.75	82.63	56.50	74.50	2
			12	162.88	124.94	89.31	103.44	88.31	61.31	79.31	2