



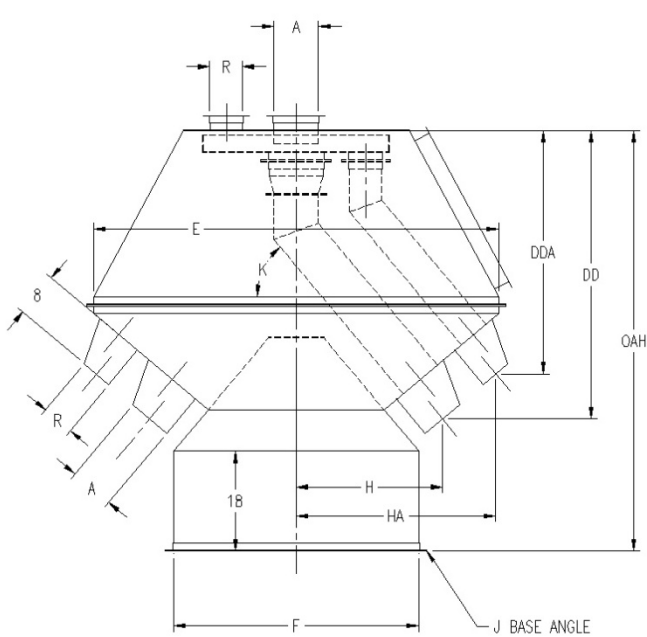
# HAYES & STOLZ

INDUSTRIAL MANUFACTURING CO.

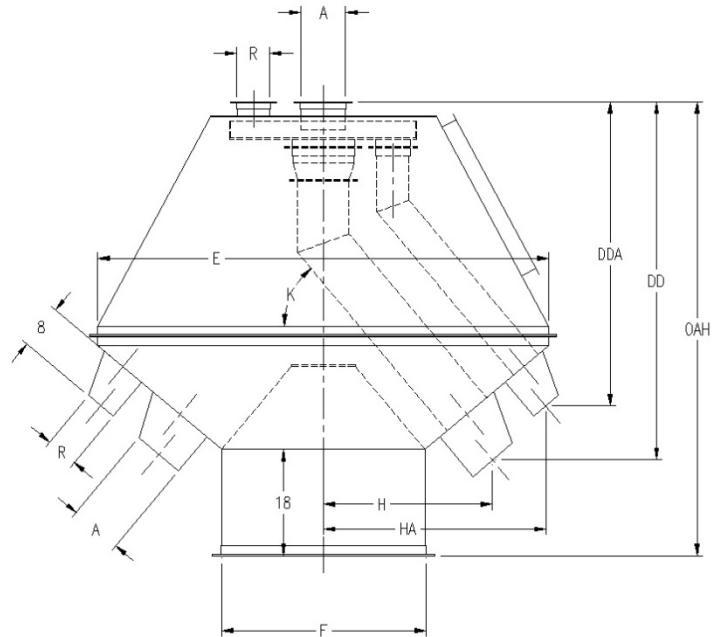
3521 Hemphill St. Fort Worth, TX 76110 817.926.3391 800.725.7272 817.926.4133 - Fax www.hayes-stolz.com

## H&S MODEL E4N ROTARY DISTRIBUTORS

### 45 DEGREE FLOW



STYLE 1



STYLE 2

## H&S MODEL E4N ROTARY DISTRIBUTORS

### 45 DEGREE FLOW

SPOUT DIA. A	FLOW K	RETURN DIA. R	NO. OF OUTLETS	DIMENSION (in)							BODY STYLE
				E	OAH	F	DD	DDA	H	HA	
10	45	6	4	50.06	82.44	50.00	44.69	35.13	16.50	26.06	1
			5	50.06	82.44	50.00	44.69	35.13	16.50	26.06	1
			6	54.81	82.44	50.00	47.06	37.50	18.94	28.44	1
			7	59.56	82.44	50.00	49.44	39.88	21.31	30.88	1
			8	64.38	82.44	50.00	51.81	42.25	23.69	33.25	1
			9	72.00	82.44	50.00	55.63	46.06	27.50	37.06	1
			10	77.06	82.44	50.00	58.19	48.63	30.06	39.63	1
			11	82.19	82.44	50.00	60.75	51.19	32.63	42.13	1
			12	87.31	82.44	50.00	63.31	53.75	35.13	44.69	1
			13	92.38	83.81	52.75	65.81	56.25	37.69	47.25	2
			14	97.44	86.38	57.88	68.38	58.81	40.25	49.81	2
			15	102.56	88.94	62.94	70.94	61.38	42.81	52.31	2
			16	107.63	91.50	68.06	73.50	63.94	45.31	54.88	2
			17	112.75	94.00	73.13	76.00	66.44	47.88	57.44	2
			18	117.81	96.56	78.25	78.56	69.00	50.44	60.00	2
			19	122.94	99.13	83.31	81.13	71.56	53.00	62.50	2
			20	128.00	101.69	88.44	83.69	74.13	55.50	65.06	2
			21	133.13	104.19	93.50	86.19	76.63	58.06	67.63	2
			22	138.19	106.75	98.63	88.75	79.19	60.63	70.19	2
			23	143.31	109.31	103.69	91.31	81.75	63.19	72.69	2
			24	148.38	111.88	108.81	93.88	84.31	65.69	75.25	2
			25	153.50	114.38	113.88	96.38	86.81	68.25	77.81	2

## H&S MODEL E4N ROTARY DISTRIBUTORS

### 45 DEGREE FLOW

SPOUT DIA. A	FLOW K	RETURN DIA. R	NO. OF OUTLETS	DIMENSION (in)							BODY STYLE
				E	OAH	F	DD	DDA	H	HA	
12	45	6	4	54.63	84.31	50.00	46.69	36.44	18.13	28.38	1
			5	54.63	84.31	50.00	46.69	36.44	18.13	28.38	1
			6	60.06	84.31	50.00	49.38	39.13	20.81	31.06	1
			7	65.44	84.31	50.00	52.06	41.81	23.56	33.81	1
			8	70.88	84.31	50.00	54.81	44.56	26.25	36.50	1
			9	79.13	84.31	50.00	58.94	48.69	30.38	40.63	1
			10	84.88	84.31	50.00	61.81	51.56	33.25	43.50	1
			11	90.63	84.31	50.00	64.69	54.44	36.13	46.38	1
			12	96.31	86.25	53.88	67.50	57.25	39.00	49.25	2
			13	102.06	89.13	59.63	70.38	60.13	41.81	52.06	2
			14	107.81	92.00	65.38	73.25	63.00	44.69	54.94	2
			15	113.50	94.81	71.06	76.13	65.88	47.56	57.81	2
			16	119.25	97.69	76.81	79.00	68.75	50.44	60.69	2
			17	125.00	100.56	82.56	81.88	71.63	53.31	63.56	2
			18	130.69	103.44	88.25	84.69	74.44	56.19	66.44	2
			19	136.44	106.31	94.00	87.56	77.31	59.00	69.25	2
			20	142.19	109.19	99.75	90.44	80.19	61.88	72.13	2
			21	147.88	112.06	105.50	93.31	83.06	64.75	75.00	2
			22	153.63	114.88	111.19	96.19	85.94	67.63	77.88	2

SPOUT DIA. A	FLOW K	RETURN DIA. R	NO. OF OUTLETS	DIMENSION (in)							BODY STYLE
				E	OAH	F	DD	DDA	H	HA	
14	45	8	4	62.06	86.13	50.00	48.69	37.00	19.69	31.38	1
			5	62.06	86.13	50.00	48.69	37.00	19.69	31.38	1
			6	68.13	86.13	50.00	51.69	40.00	22.75	34.44	1
			7	74.19	86.13	50.00	54.75	43.06	25.75	37.44	1
			8	80.19	86.13	50.00	57.75	46.06	28.81	40.44	1
			9	89.13	86.13	50.00	62.19	50.50	33.25	44.94	1
			10	95.50	86.13	50.00	65.38	53.69	36.44	48.06	1
			11	101.88	88.00	53.75	68.56	56.88	39.63	51.25	2
			12	108.19	91.19	60.13	71.75	60.06	42.81	54.44	2
			13	114.56	94.38	66.50	74.94	63.25	46.00	57.63	2
			14	120.94	97.56	72.88	78.13	66.44	49.19	60.81	2
			15	127.31	100.75	79.25	81.31	69.63	52.31	64.00	2
			16	133.69	103.94	85.63	84.50	72.81	55.50	67.19	2
			17	140.06	107.13	92.00	87.69	76.00	58.69	70.38	2
			18	146.44	110.25	98.31	90.88	79.19	61.88	73.56	2
			19	152.75	113.44	104.69	94.06	82.38	65.06	76.75	2
			20	159.13	116.63	111.06	97.25	85.56	68.25	79.94	2
			21	165.50	119.81	117.44	100.44	88.75	71.44	83.13	2
			22	171.88	123.00	123.81	103.56	91.88	74.63	86.31	2

## H&S MODEL E4N ROTARY DISTRIBUTORS

### 45 DEGREE FLOW

SPOUT DIA. A	FLOW K	RETURN DIA. R	NO. OF OUTLETS	DIMENSION (in)							BODY STYLE
				E	OAH	F	DD	DDA	H	HA	
16	45	8	4	61.25	87.94	50.00	48.00	35.63	18.63	31.00	1
			5	68.25	87.94	50.00	51.50	39.13	22.13	34.50	1
			6	75.25	87.94	50.00	55.00	42.63	25.63	38.00	1
			7	82.25	87.94	50.00	58.50	46.13	29.13	41.50	1
			8	89.25	87.94	50.00	62.00	49.63	32.63	45.00	1
			9	96.25	87.94	50.00	65.50	53.13	36.13	48.50	1
			10	103.25	89.13	52.38	69.00	56.63	39.63	52.00	2
			11	110.25	92.63	59.38	72.50	60.13	43.13	55.50	2
			12	117.25	96.13	66.38	76.00	63.63	46.63	59.00	2
			13	124.25	99.63	73.38	79.50	67.13	50.13	62.50	2
			14	131.25	103.13	80.38	83.00	70.63	53.63	66.00	2
			15	138.25	106.63	87.38	86.50	74.13	57.13	69.50	2
			16	145.31	110.13	94.38	90.00	77.63	60.63	73.00	2
			17	152.31	113.63	101.38	93.50	81.13	64.13	76.50	2
			18	159.31	117.13	108.38	97.00	84.63	67.63	80.00	2
			19	166.31	120.63	115.38	100.50	88.13	71.13	83.50	2
			20	173.31	124.13	122.38	104.00	91.63	74.63	87.00	2
			21	180.31	127.63	129.38	107.50	95.13	78.13	90.50	2
			22	187.31	131.13	136.38	111.00	98.63	81.63	94.00	2

SPOUT DIA. A	FLOW K	RETURN DIA. R	NO. OF OUTLETS	DIMENSION (in)							BODY STYLE
				E	OAH	F	DD	DDA	H	HA	
18	45	10	4	68.06	89.75	50.00	49.69	35.88	19.88	33.69	1
			5	75.69	89.75	50.00	53.50	39.69	23.69	37.50	1
			6	83.31	89.75	50.00	57.31	43.50	27.50	41.31	1
			7	90.94	89.75	50.00	61.13	47.31	31.31	45.13	1
			8	98.63	89.75	50.00	64.94	51.13	35.13	48.94	1
			9	106.25	89.75	50.00	68.75	54.94	39.00	52.75	1
			10	113.88	93.44	57.31	72.56	58.75	42.81	56.56	2
			11	121.50	97.25	64.94	76.44	62.63	46.63	60.38	2
			12	129.13	101.06	72.56	80.25	66.44	50.44	64.25	2
			13	136.81	104.88	80.25	84.06	70.25	54.25	68.06	2
			14	144.44	108.69	87.88	87.88	74.06	58.06	71.88	2
			15	152.06	112.50	95.50	91.69	77.88	61.88	75.69	2
			16	159.69	116.31	103.13	95.50	81.69	65.69	79.50	2
			17	167.38	120.13	110.75	99.31	85.50	69.50	83.31	2
			18	175.00	124.00	118.44	103.13	89.31	73.38	87.13	2
			19	182.63	127.81	126.06	106.94	93.13	77.19	90.94	2
			20	190.25	131.63	133.69	110.81	97.00	81.00	94.75	2
			27	243.75	158.38	187.19	137.50	123.69	107.75	121.50	2
			28	251.38	162.19	194.81	141.31	127.50	111.56	125.31	2
			29	259.00	166.00	202.44	145.19	131.38	115.38	129.13	2

# H&S MODEL E4N ROTARY DISTRIBUTORS

## 45 DEGREE FLOW

SPOUT DIA. A	FLOW K	RETURN DIA. R	NO. OF OUTLETS	DIMENSION (in)							BODY STYLE
				E	OAH	F	DD	DDA	H	HA	
20	45	10	4	72.00	91.63	50.00	51.38	36.88	21.13	35.63	1
			5	80.25	91.63	50.00	55.50	41.00	25.31	39.81	1
			6	88.56	91.63	50.00	59.63	45.13	29.44	43.94	1
			7	96.81	91.63	50.00	63.75	49.25	33.56	48.06	1
			8	105.13	91.63	50.00	67.94	53.44	37.69	52.19	1
			9	113.38	93.63	54.00	72.06	57.56	41.81	56.31	2
			10	121.63	97.75	62.25	76.19	61.69	46.00	60.50	2
			11	129.94	101.88	70.50	80.31	65.81	50.13	64.63	2
			12	138.19	106.00	78.81	84.44	69.94	54.25	68.75	2
			13	146.50	110.13	87.06	88.63	74.13	58.38	72.88	2
			14	154.75	114.31	95.38	92.75	78.25	62.50	77.00	2
			15	163.00	118.44	103.63	96.88	82.38	66.69	81.19	2

SPOUT DIA. A	FLOW K	RETURN DIA. R	NO. OF OUTLETS	DIMENSION (in)							BODY STYLE
				E	OAH	F	DD	DDA	H	HA	
22	45	12	4	78.81	93.44	50.00	53.06	37.13	22.44	38.31	1
			5	87.69	93.44	50.00	57.50	41.56	26.88	42.81	1
			6	96.63	93.44	50.00	61.94	46.00	31.31	47.25	1
			7	105.50	93.44	50.00	66.44	50.50	35.81	51.69	1
			8	114.44	93.44	50.00	70.88	54.94	40.25	56.13	1
			9	123.31	97.56	58.31	75.31	59.38	44.69	60.63	2
			10	132.25	102.00	67.19	79.81	63.88	49.19	65.06	2
			11	141.19	106.50	76.13	84.25	68.31	53.63	69.50	2
			12	150.06	110.94	85.00	88.69	72.75	58.06	74.00	2
			13	159.00	115.38	93.94	93.13	77.19	62.50	78.44	2

SPOUT DIA. A	FLOW K	RETURN DIA. R	NO. OF OUTLETS	DIMENSION (in)							BODY STYLE
				E	OAH	F	DD	DDA	H	HA	
24	45	12	4	82.75	95.25	50.00	54.75	38.13	23.69	40.31	1
			5	92.31	95.25	50.00	59.50	42.88	28.50	45.06	1
			6	101.88	95.25	50.00	64.31	47.69	33.25	49.88	1
			7	111.38	95.25	50.00	69.06	52.44	38.00	54.63	1
			8	120.94	96.75	53.06	73.81	57.19	42.81	59.44	2
			9	130.50	101.56	62.63	78.63	62.00	47.56	64.19	2
			10	140.06	106.31	72.19	83.38	66.75	52.31	68.94	2
			11	149.56	111.06	81.69	88.13	71.50	57.13	73.75	2
			12	159.13	115.88	91.25	92.94	76.31	61.88	78.50	2