

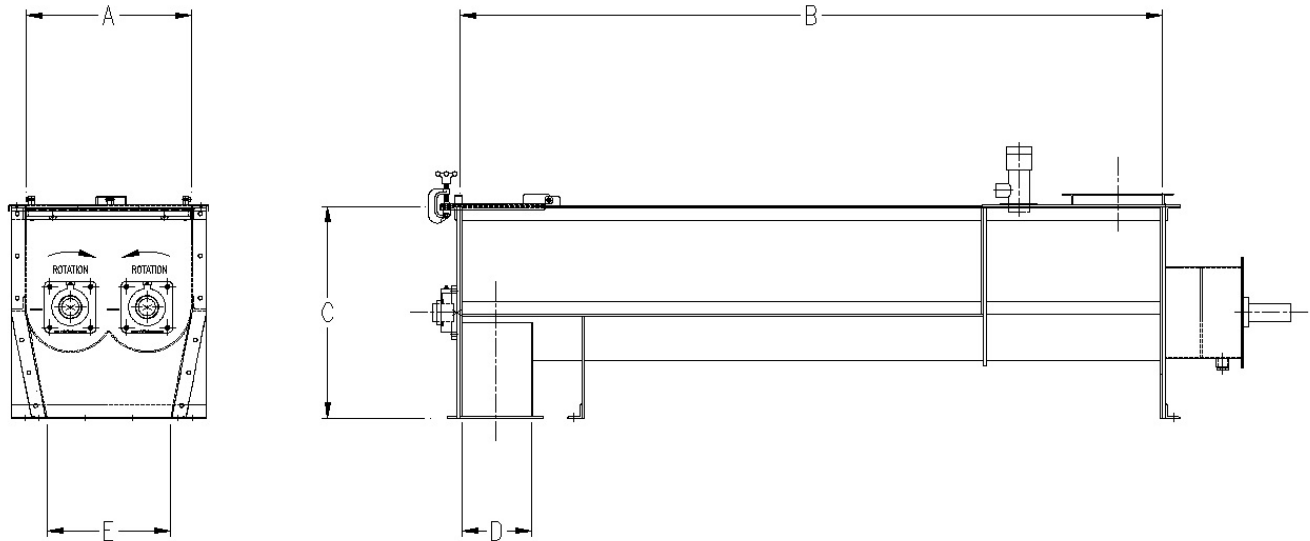


HAYES & STOLZ

INDUSTRIAL MANUFACTURING CO.

3521 Hemphill St. Fort Worth, TX 76110 817.926.3391 800.725.7272 817.926.4133 - Fax www.hayes-stolz.com

H&S MODEL DA CONTINUOUS BLENDER



MODEL	DIMENSIONS (in.)				
	A	B	C	D	E
DA-12	24	72	24 5/8	9	16 1/4
DA-16	32		31 5/16	12	20 1/4
DA-20	40		38 1/16	15	24 1/4
DA-24	48		48 13/16	18	28 1/4
DA-30	60		58 11/16	18	34 1/4
DA-36	72		69	18	40 1/4