

DIVERTER VALVES



LINEAR ACTUATION ELECTRIC OR AIR



Hayes & Stolz

INDUSTRIAL MANUFACTURING CO., INC.

Reliable Processing Equipment Since 1945.

P.O. BOX 11217 FORT WORTH, TEXAS 76110-0217

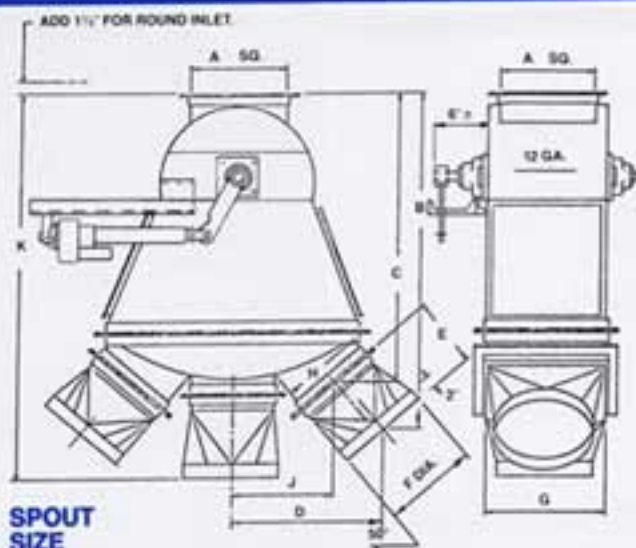
1-800-725-7272 • FAX: (817) 926-4133

LINEAR ACTUATION

Positive
Position
Electric

Smooth
or Performing
Pneumatic

■ Also Available In Manual.



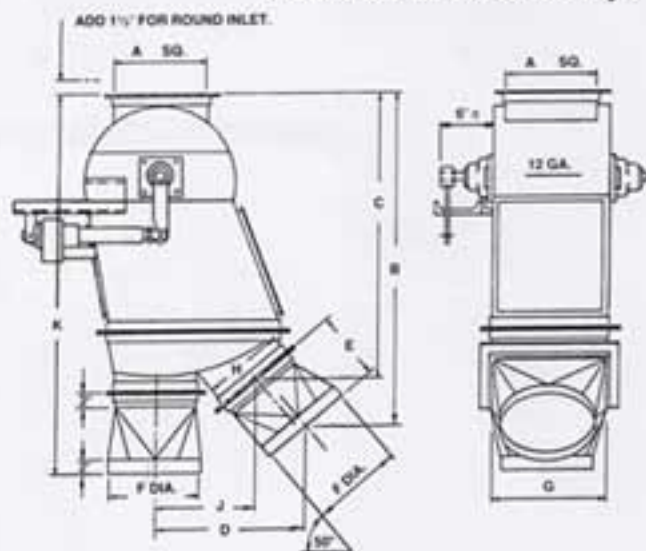
SPOUT
SIZE

A	B	C	D	E	F	G	H	J	K	WT.
6	36 ¹ / ₁₆ "	27 ¹ / ₄ "	16 ³ / ₁₆ "	12"	6"	9"	6"	8 ⁵ / ₁₆ "	41 ¹ / ₂ "	220
8	36 ⁷ / ₁₆ "	28"	17 ³ / ₁₆ "	12"	8"	11"	7"	9 ¹ / ₄ "	42"	245
10	38 ¹ / ₁₆ "	30"	19 ¹ / ₁₆ "	12"	10"	13"	9"	11"	44 ¹ / ₂ "	300
12	42 ³ / ₁₆ "	33 ³ / ₄ "	21 ¹ / ₄ "	12"	12"	15"	10"	12 ³ / ₄ "	49"	365
14	48 ¹ / ₁₆ "	38"	24 ³ / ₁₆ "	14"	14"	17"	12"	14 ⁵ / ₁₆ "	56"	460

Available in electric only.

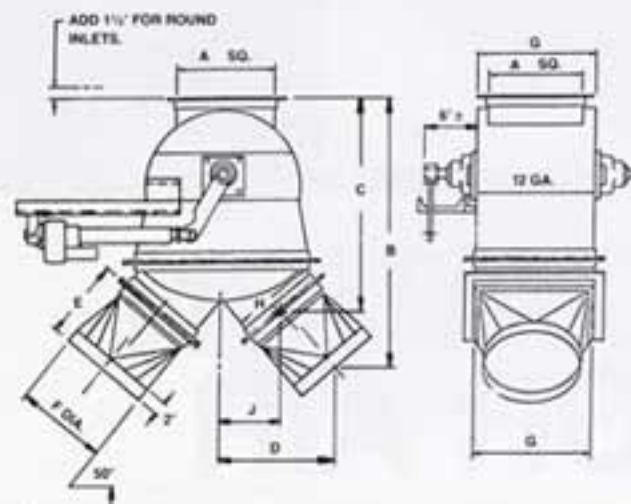
SPOUT
SIZE

A	B	C	D	E	F	G	H	J	K	WT.
6	36 ¹ / ₁₆ "	27 ¹ / ₄ "	16 ³ / ₁₆ "	12"	6"	9"	6"	8 ⁵ / ₁₆ "	41 ¹ / ₂ "	210
8	36 ⁷ / ₁₆ "	28"	17 ³ / ₁₆ "	12"	8"	11"	7"	9 ¹ / ₄ "	42"	230
10	38 ¹ / ₁₆ "	30"	19 ¹ / ₁₆ "	12"	10"	13"	9"	11"	44 ¹ / ₂ "	285
12	42 ³ / ₁₆ "	33 ³ / ₄ "	21 ¹ / ₄ "	12"	12"	15"	10"	12 ³ / ₄ "	49"	345
14	48 ¹ / ₁₆ "	38"	24 ³ / ₁₆ "	14"	14"	17"	12"	14 ⁵ / ₁₆ "	56"	435



SPOUT
SIZE

A	B	C	D	E	F	G	H	J	WT.
6	34 ³ / ₁₆ "	25"	14 ¹ / ₁₆ "	12"	6"	9"	6"	6 ³ / ₁₆ "	190
8	34 ⁷ / ₁₆ "	26"	15 ¹ / ₁₆ "	12"	8"	11"	7"	7"	210
10	36 ¹ / ₁₆ "	27 ¹ / ₄ "	15 ³ / ₁₆ "	12"	10"	13"	9"	7 ⁵ / ₁₆ "	260
12	38 ³ / ₁₆ "	30"	16 ³ / ₁₆ "	12"	12"	15"	10"	8 ¹ / ₄ "	320
14	41 ¹ / ₁₆ "	31 ³ / ₄ "	18 ³ / ₁₆ "	14"	14"	17"	12"	9"	390



Electric Linear Actuation Specifications:

- 1/60/115 TENV
- 1500 inch lb. force
- Available Class II Group G

- 3.2 amps full load
- 4.3 amps locked rotor

Also Available In Basket Type For Economy — Electric Or Air Dependable Simple Design

- No Complicated Wiring
- No Reversing Starter

45°

SIZE	A	B
6"	10"	5 1/2"
8"	12"	6 1/2"
10"	14"	7 1/2"
12"	16"	7 1/2"
13"	17"	8 1/2"
14"	18"	8 1/2"
16"	20"	9 1/2"
18"	22"	9 1/2"
20"	24"	10 1/2"
22"	26"	11 1/2"
24"	28"	12"
26"	30"	12 1/2"

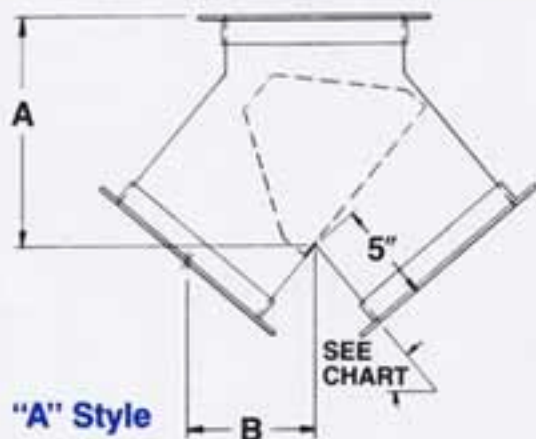
50°

SIZE	A	B
6"	10"	5 1/2"
8"	12"	6 1/2"
10"	14"	7 1/2"
12"	16"	7 1/2"
13"	17"	8 1/2"
14"	18"	8 1/2"
16"	20"	9 1/2"
18"	22"	10 1/2"
20"	24"	10 1/2"
22"	26"	11 1/2"
24"	28"	12 1/2"
26"	30"	13 1/2"

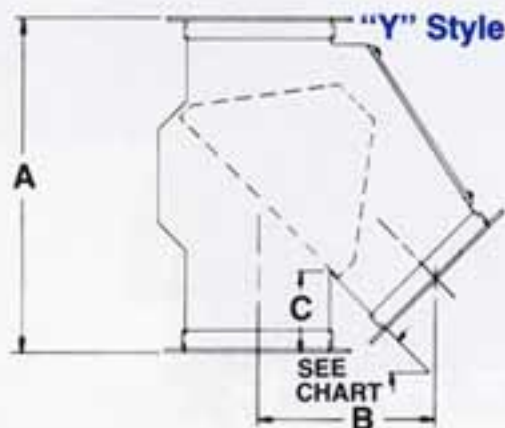
60°

SIZE	A	B
6"	12"	5 1/2"
8"	14"	6"
10"	16"	6 1/2"
12"	18"	7 1/2"
13"	19"	8 1/2"
14"	20"	8 1/2"
16"	22"	9 1/2"
18"	24"	10 1/2"
20"	26"	11 1/2"
22"	28"	12"
24"	30"	12 1/2"
26"	32"	13 1/2"

On application only.



- Reputation
- Reliability
- Quality
- Service



45°

SIZE	A	B	C
6"	10"	9 1/2"	6"
8"	22"	11 1/2"	6"
10"	20"	12 1/2"	6"
12"	26"	14 1/2"	6"
13"	31"	16 1/2"	7"
14"	32"	16 1/2"	7"
16"	30"	18 1/2"	7"
18"	38"	20 1/2"	7"
20"	41"	22"	7"
22"	44"	23 1/2"	7"
24"	47"	25 1/2"	7"
26"	50"	27 1/2"	7"

50°

SIZE	A	B	C
6"	21"	9 1/2"	7"
8"	24"	11 1/2"	7"
10"	27"	13 1/2"	7"
12"	30"	15 1/2"	7"
13"	33"	16 1/2"	8"
14"	35"	17 1/2"	8"
16"	38"	18 1/2"	8"
18"	41"	21 1/2"	8"
20"	45"	22 1/2"	8"
22"	48"	24 1/2"	8"
24"	51"	26 1/2"	8"
26"	54"	28 1/2"	8"

60°

SIZE	A	B	C
6"	24"	9 1/2"	8"
8"	28"	11 1/2"	8"
10"	32"	13 1/2"	8"
12"	36"	15 1/2"	8"
13"	40"	16 1/2"	9"
14"	42"	17 1/2"	9"
16"	46"	18 1/2"	9"
18"	50"	21 1/2"	9"
20"	54"	23 1/2"	9"
22"	58"	25 1/2"	9"
24"	62"	26 1/2"	9"
26"	66"	28 1/2"	9"

On application only.



Hayes & Stolz

INDUSTRIAL MANUFACTURING CO., INC.
Reliable Processing Equipment Since 1945.
P.O. BOX 11217 FORT WORTH, TEXAS 76110-0217
1-800-725-7272 • FAX: (817) 926-4133

Six Ways To Get The Job Done!



Gravity Magnetic
Separator



Continuous
Dual Agitator Mixer



Horizontal
Drop Bottom Mixer



Electric
Distributor



Self-Cleaning
Horizontal Cooler
With Drop Door
Fines Trays* — Single,
Double, Triple & Quad Pass Standard

Rotary Scalper



*Patent Applied For



Hayes & Stolz

INDUSTRIAL MANUFACTURING CO., INC.
Reliable Processing Equipment Since 1945.
P.O. BOX 11217 FORT WORTH, TEXAS 76110-0217
1-800-725-7272 • FAX: (817) 926-4133